

GEZE ROLLAN 40 NT



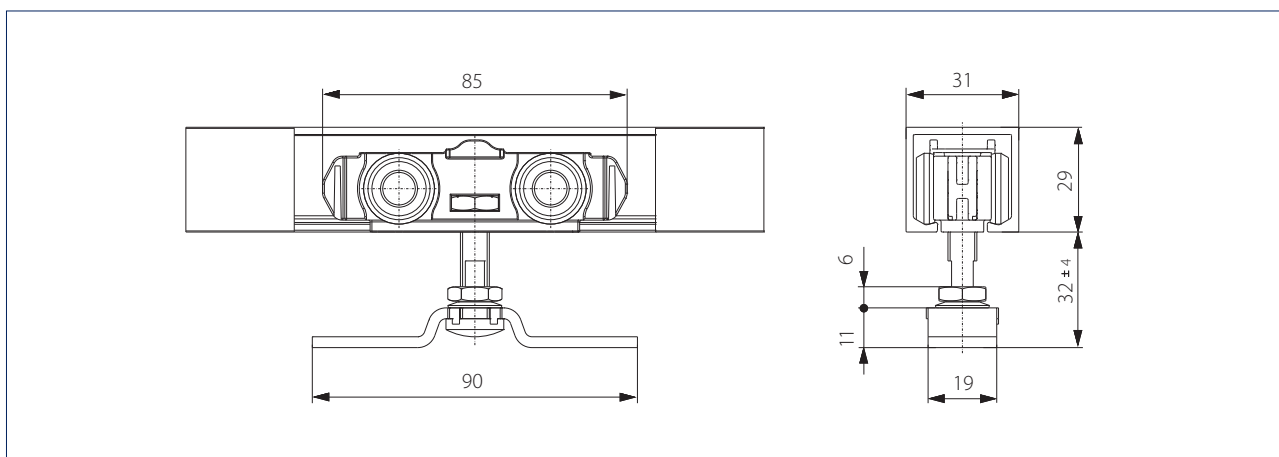


GEZE ROLLAN 40 NT

GEZE Rollan 40 NT

The quiet roller-guided sliding system for simple sliding concepts

Simple interior sliding leaves of up to 40 kg in weight can be achieved without much effort using the quiet roller-guided sliding system GEZE Rollan 40 NT. Thanks to ceiling and wall installation, the system can be used in many different ways e.g. in passage doors, for partition walls and cupboards. The track has a flat contact surface and thus guarantees almost silent running. It can be used both for Rollan 40 NT and Rollan 80 NT as well as for almost every leaf material. This reduces the planning and storage effort and thus enables simple adjustments to changing usage conditions. The distance between the door leaf and the track can be adjusted or readjusted easily after installation using the suspension bolt. The C-shape of the track reduces dust and dirt penetration.



APPLICATION RANGE

- Especially suitable for wooden doors
- For all 1- and multiple-leaf sliding doors
- Smooth running makes it particularly well suited for doors in living and office spaces

TECHNICAL DATA

| Product features | GEZE Rollan 40 NT |
|----------------------------|---|
| Leaf material | Wood, plastic, metal, glass |
| Leaf weight (max.) | 40 kg |
| Number of leaves | 1-leaf, 2-leaf |
| Test cycles | 25,000 |
| Corrosion protection class | 1 |
| Type of installation | Wall installation, ceiling installation |
| Access for all | According to DIN 18040 |

Standard dimensions in mm

| Leaf width (FB) | Track length (L) | Distance between drill holes (t) | Number of drill holes (n) | Distance from first drill hole (centre) to end of track (y) |
|-------------------|------------------|----------------------------------|---------------------------|---|
| 500 - 590 | 1150 | 350 | 4 | 50 |
| 500 - 840 | 1650 | 450 | 4 | 150 |
| 500 - 920 | 1800 | 400 | 5 | 100 |
| 500 - 970 | 1900 | 450 | 5 | 50 |
| 500 - 1190 | 2350 | 450 | 6 | 50 |
| 500 - 1420 | 2800 | 450 | 7 | 50 |
| 500 - 1640 | 3250 | 450 | 8 | 50 |
| Stock length (LL) | 6100 | 350 | 18 | 50 |

Classification in accordance with DIN EN 1527

| GEZE Rollan 40 NT | | | | | | | | |
|-------------------|--------------------------------|-------------|-----------------|--------|----------------------|------------|-----------|------------------|
| Usage category | Duration of functional ability | Door weight | Fire resistance | Safety | Corrosion resistance | Protection | Door type | Initial friction |
| - | 4 | 1 | - | 1 | 1 | - | 1 | 3 |

The description of the classes can be found at the end of the catalogue.

OVERVIEW OF COMPONENTS

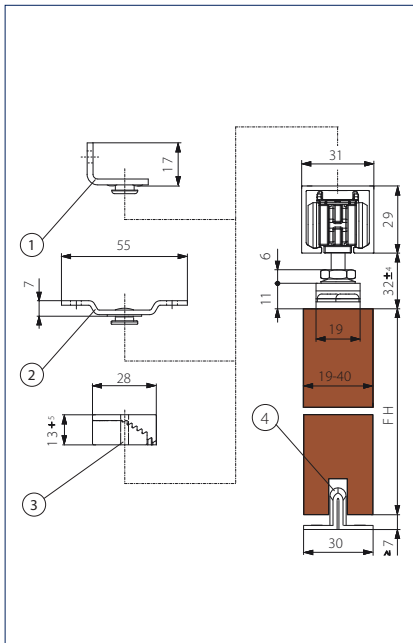
GEZE Rollan 40 NT wooden leaf ceiling mounting



- 1 = Track Rollan
- 2 = End stop
- 3 = Roller carriage Rollan 40 NT
- 4 = Suspension plate Rollan
- 5 = Wooden leaf (on site)
- 6 = Floor guide for wooden leaf

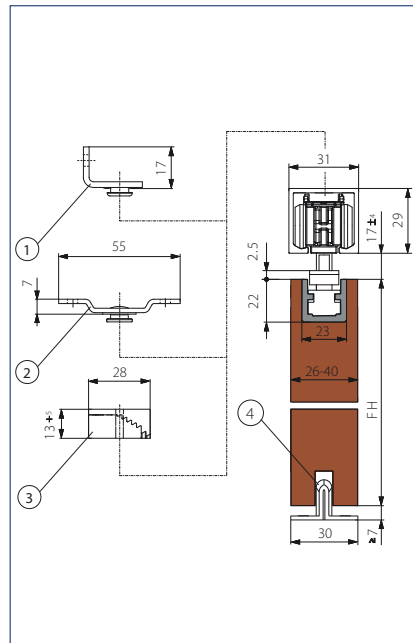
CROSS-SECTION DRAWINGS

The fitting can be attached directly to the ceiling or by means of a bracket to the wall or ceiling:



Wall / ceiling installation wood

- FH = Leaf height
- 1 = Wall bracket
- 2 = Ceiling bracket
- 3 = Height compensation mechanism
- 4 = Floor guide for wooden leaf



Wall / ceiling installation wood with suspension plate concealed

- FH = Leaf height
- 1 = Wall bracket
- 2 = Ceiling bracket
- 3 = Height compensation mechanism
- 4 = Floor guide for wooden leaf

GEZE ROLLAN 80 NT





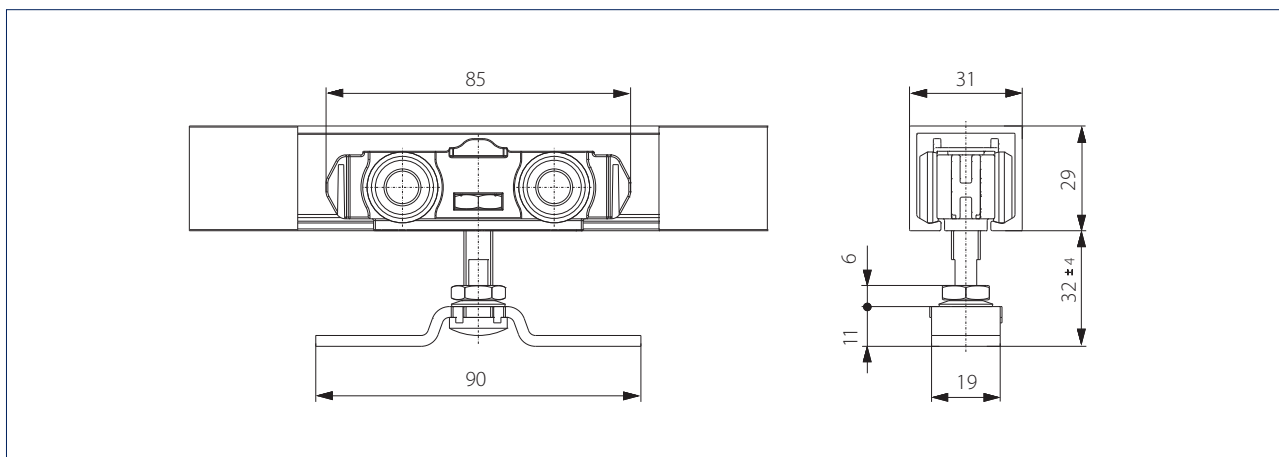
GEZE ROLLAN 80 NT

GEZE Rollan 80 NT

The quiet and secure roller-guided sliding system for simple sliding concepts

The GEZE Rollan 80 NT roller-guided sliding system allows straightforward integration of sliding concepts on interior doors. The ceiling and wall mounting supports versatile use e.g. in passage doors, partition walls and cupboards. The track can be used both for Rollan 40 NT and Rollan 80 NT as well as for almost every leaf material. This reduces the planning and storage effort and thus enables simple adjustments to changing usage conditions. The distance between the door leaf and the track can be adjusted or readjusted easily after installation using the suspension bolt. The C-shape of the track reduces dust and dirt penetration.

Comfort and safety for GEZE sliding door systems with small leaf widths are possible with the optional draw-in damper **Rollan 80 NT SoftStop**. The door is gently slowed down and pulls itself automatically into the zero position. The gentle retraction into the end position is easy on the door and the fittings, thus increasing the life span of the door. The damper can be used one-sided or double-sided in the Rollan track up to a door weight of 40 kg. The Rollan 80 NT SoftStop is completely concealed in the track and has a total height of only 25 mm.



APPLICATION RANGE

- Especially suitable for wooden doors
- For all 1- and multiple-leaf sliding doors
- Smooth running makes it particularly well suited for doors in living and office spaces

TECHNICAL DATA

| Product features | GEZE Rollan 80 NT |
|--|---|
| Leaf material | Wood, plastic, metal, glass |
| Leaf weight (max.) | 80 kg |
| Leaf weight (max.) with draw-in damper | 40 kg |
| Number of leaves | 1-leaf, 2-leaf |
| Test cycles | 50,000 |
| Corrosion protection class | 1 |
| Type of installation | Wall installation, ceiling installation |
| Access for all | According to DIN 18040 |

Standard dimensions in mm

| Leaf width (FB) | Track length (L) | Distance between drill holes (t) | Number of drill holes (n) | Distance from first drill hole (centre) to end of track (y) |
|-------------------|------------------|----------------------------------|---------------------------|---|
| 500 - 590 | 1150 | 350 | 4 | 50 |
| 500 - 840 | 1650 | 450 | 4 | 150 |
| 500 - 920 | 1800 | 400 | 5 | 100 |
| 500 - 970 | 1900 | 450 | 5 | 50 |
| 500 - 1190 | 2350 | 450 | 6 | 50 |
| 500 - 1420 | 2800 | 450 | 7 | 50 |
| 500 - 1640 | 3250 | 450 | 8 | 50 |
| Stock length (LL) | 6100 | 350 | 18 | 50 |

Classification in accordance with DIN EN 1527

| GEZE Rollan 80 NT | | | | | | | | |
|-------------------|--------------------------------|-------------|-----------------|--------|----------------------|------------|-----------|------------------|
| Usage category | Duration of functional ability | Door weight | Fire resistance | Safety | Corrosion resistance | Protection | Door type | Initial friction |
| - | 4 | 2 | - | 1 | 1 | - | 1 | 3 |

The description of the classes can be found at the end of the catalogue.

OVERVIEW OF COMPONENTS

GEZE Rollan 80 NT wooden leaf ceiling mounting



- 1 = Track Rollan
- 2 = End stop Rollan
- 3 = End stop Rollan with hold-open spring
- 4 = Roller carriage Rollan 80 NT
- 5 = Suspension plate Rollan
- 6 = Wooden leaf (on site)
- 7 = Floor guide for wooden leaf

Note: Cross-section drawings analogue to Rollan 40 NT

ORDER INFORMATION ROLLAN 40 NT / ROLLAN 80 NT

| Description | Leaf width from to | Length | Version | ID No. |
|--|-----------------------|---------|--------------------|--------|
| GEZE Rollan 40 NT complete set Set for wall and ceiling installation with wooden leaf standard, up to 40 kg leaf weight -plain bearing- | 500 mm 590 mm | 1150 mm | | 160405 |
| | 500 mm 840 mm | 1650 mm | | 160406 |
| | 500 mm 920 mm | 1800 mm | | 160407 |
| | 500 mm 970 mm | 1900 mm | | 160408 |
| | 500 mm 1190 mm | 2350 mm | | 160409 |
| | 500 mm 1420 mm | 2800 mm | | 160410 |
| GEZE Rollan 80 NT complete set Set for wall and ceiling installation with wooden leaf standard, up to 80 kg leaf weight -ball bearing- | 500 mm 840 mm | 1650 mm | | 160411 |
| | 500 mm 920 mm | 1800 mm | | 160412 |
| | 500 mm 970 mm | 1900 mm | | 160413 |
| | 500 mm 1190 mm | 2350 mm | | 160414 |
| | 500 mm 1420 mm | 2800 mm | | 160415 |
| | 500 mm 1640 mm | 3250 mm | | 160416 |
| GEZE Rollan 80 NT complete set Set for wall and ceiling installation with glass leaf, 30 mm glass clamping plate individually covered EV1, up to 80 kg leaf weight -ball bearing- | 500 mm 970 mm | 1900 mm | | 160423 |
| Accessories | | | | |
| Rollan 80 NT SoftStop set, damping on one side, up to 40 kg The set includes: 1 x damping unit, 1 x trigger | | | | 160360 |
| Accessories set basic components for Rollan 40 NT For ceiling mounting, comprising: 2 x roller carriage, 2 x end stop, 2 x suspension plate, 2 x suspension bolt, 1 x floor guide for wooden leaf -plain bearing- | 500 mm 1500 mm | | | 160417 |
| Accessories set basic components for Rollan 40 NT For wall mounting, comprising: 2 x roller carriage, 2 x end stop, 2 x suspension plate, 2 x suspension bolt, 1 x floor guide for wooden leaf, incl. standard wall bracket (length = can be used up to track length) -plain bearing- | 1100 mm 1500 mm | 2800 mm | | 160419 |
| | 500 mm 1100 mm | 1900 mm | | 160418 |
| Accessories set basic components for Rollan 80 NT For ceiling mounting, comprising: 2 x roller carriage, 2 x end stop (1 x with hold-open device), 2 x suspension plate, 2 x suspension bolt, 1 x floor guide for wooden leaf -ball bearing- | 500 mm 1500 mm | | | 160420 |
| | 1100 mm 1500 mm | 2800 mm | | 160422 |
| Accessories set basic components for Rollan 80 NT For wall mounting, comprising: 2 x roller carriage, 2 x end stop (1 x with hold-open device), 2 x suspension plate, 2 x suspension bolt, 1 x floor guide for wooden leaf, incl. standard wall bracket (length = can be used up to track length) -ball bearing- | 500 mm 1100 mm | 1900 mm | | 160421 |
| | | 6100 mm | Aluminium, matt | 120150 |
| Track Rollan Bespoke length, per m | | | Aluminium, matt | 120151 |

GEZE ROLLAN 40 NT / ROLLAN 80 NT

| Description | Leaf width from to | Length | Version | ID No. |
|---|-----------------------|--------|-----------------------|--------|
| Roller carriage Rollan 80 NT without suspension bolt Black, up to 80 kg leaf weight -ball bearing- | | | | 159518 |
| Roller carriage Rollan 40 NT with suspension bolt White, up to 40 kg leaf weight -plain bearing- | | | | 160363 |
| Roller carriage Rollan 40 NT without suspension bolt White, up to 40 kg leaf weight -plain bearing- | | | | 159517 |
| Roller carriage Rollan 80 NT with suspension bolt Black, up to 80 kg leaf weight -ball bearing- | | | | 160364 |
| End stop Rollan Without hold-open spring | | | | 120192 |
| End stop Rollan With hold-open spring, retention force can be adjusted gradually in installed state | | | | 120161 |
| Leaf stop | | | | 000339 |
| Wall bracket Rollan Without attachment material | | | | 125858 |
| Ceiling bracket Rollan Without attachment material | | | | 069991 |
| Suspension plate Rollan Without suspension bolt and attachment material | | | | 026654 |
| Concealed suspension profile set 2 pcs., for milling into the wooden leaf, including suspension bolts and flat open-ended spanner for height adjustment | | | | 138015 |
| Suspension bolt Rollan M8x30 with nut | | | | 133146 |
| Suspension bolt Rollan M8x42 with nut | | | | 038183 |
| Height compensation mechanism/ceiling spacer set, with variable adjustment 6 pcs., height compensation mechanism with variable adjustment from 13 mm to 18 mm. For use for ceiling mounting using clip-on cover 100/145 as well as for general use on uneven ceilings | | | | 138099 |
| Floor guide for wooden leaf standard Without attachment material | | | galvanised | 002191 |
| Floor guide for glass leaf (stainless steel) For 8, 10, 12 mm glass | | | stainless steel | 134990 |
| Floor guide for glass leaf (adjustable) With variable adjustment for glass thickness 8-13.5 mm, with frieze band for noise reduction with structured glass surfaces, without attachment material | | | silver-coloured | 120417 |
| | | | stainless steel optic | 148019 |
| | | | according to RAL | 149657 |
| Recessed handle, 8-12 mm glass Closed, outer diameter 60 mm, glass drill hole 40 mm | | | stainless steel | 138670 |
| Recessed handle, 15-80 mm wood Outer diameter 60 mm, specify leaf thickness when ordering | | | stainless steel | 127614 |
| Door handle rod, bespoke | | | stainless steel | 127616 |

GEZE ROLLAN 40 NT / ROLLAN 80 NT



Track



Roller carriage Rollan 40 NT



Roller carriage Rollan 80 NT



Rollan 80 NT SoftStop with trigger



End stop



End stop with hold-open spring



Wall bracket



Ceiling bracket



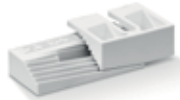
Suspension plate



Concealed suspension profile



Suspension bolt



Height compensation mechanism



Floor guide for wooden leaf



Floor guide for glass leaf
Stainless steel



Floor guide for glass leaf adjustable



Recessed handle glass closed



Stainless steel door handle rod