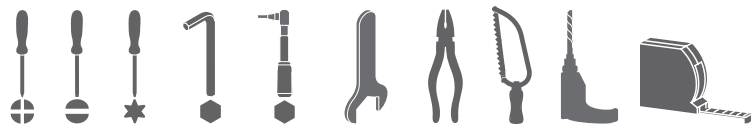


Rollan

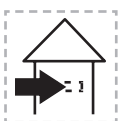
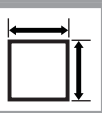


160366-01

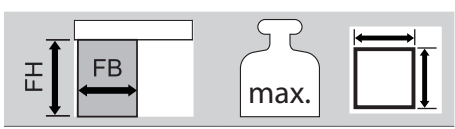
**GEZE**



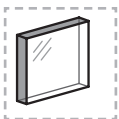
T20 2 mm 3 mm 5 mm  
 3 mm 5 mm 13 mm  
 6 mm



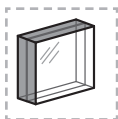
EN 1527  
 EN 1670



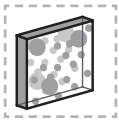
FH / FB ≤ 3:1 40/80 kg [mm]



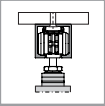


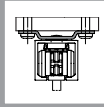

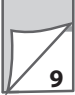
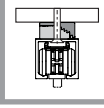


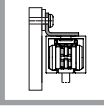


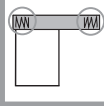


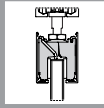


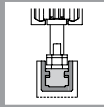


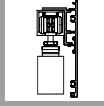


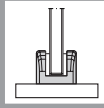





= **ESG**  
 EN 12150-1  
 TEMPERED

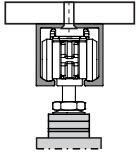


= **VSG/LSG**  
 EN ISO  
 12543-1

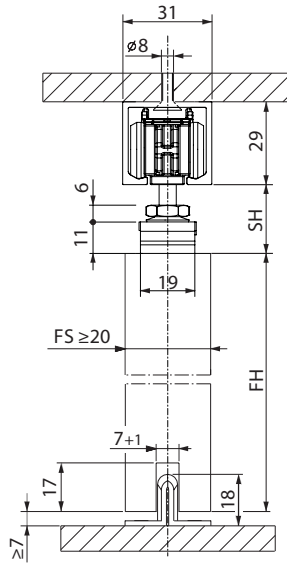
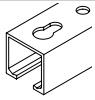
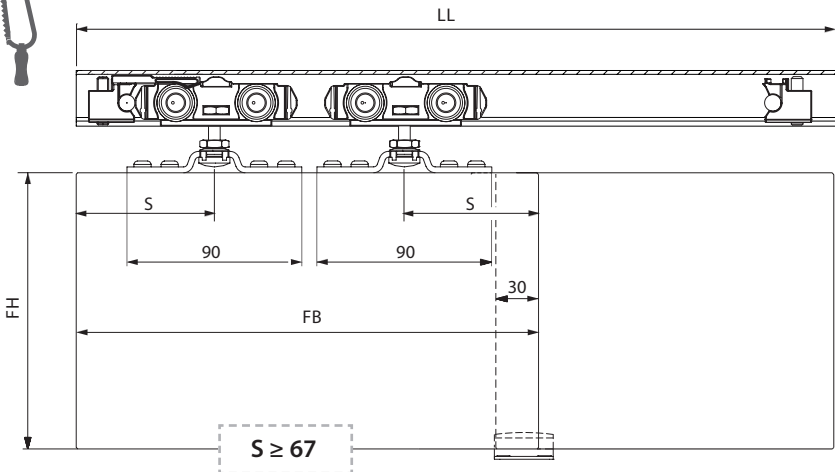


= EN 572-2  
 EN 572-5

<b>i</b>			
<b>i+ A</b>			
<b>i+ B</b>			
<b>i+ C</b>			
<b>i+ D</b>			
<b>i+ E</b>			
<b>i+ F</b>			
<b>i+ G</b>			
<b>i+ H</b>			
<b>I</b>			

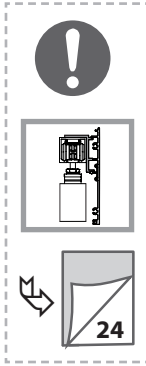
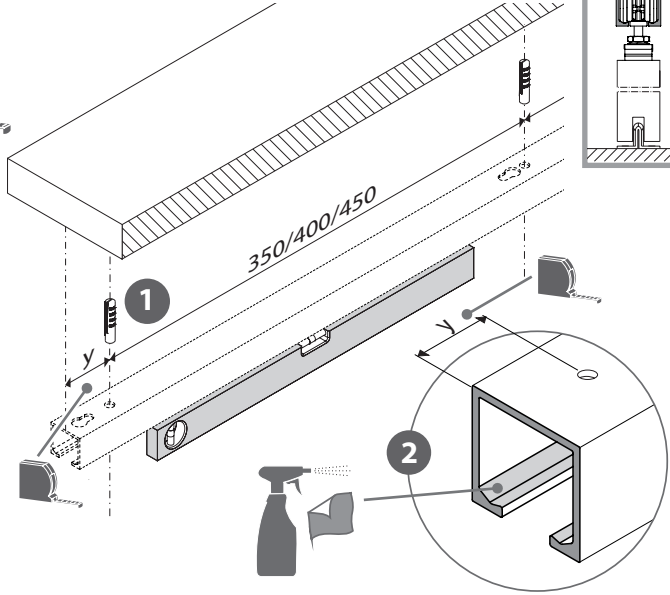
**i**

	SH [mm]
M8x42	32 ±4
M8x30	22 ±4
M8x30 =	

**1****LL****LL = 2 \* FB - 30**

2

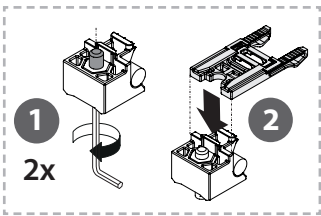
2/5



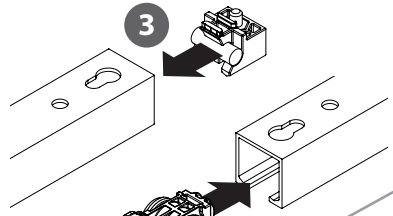
3



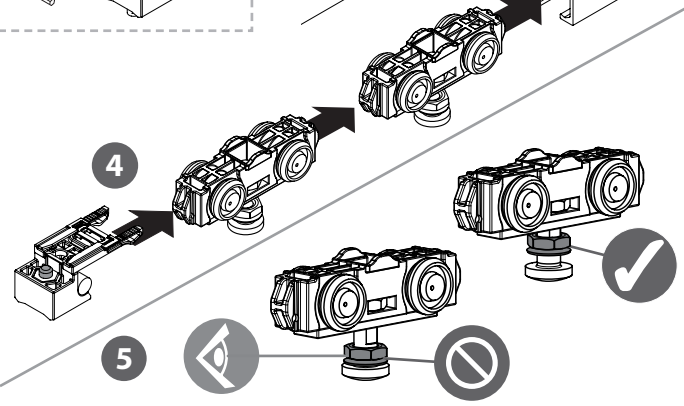
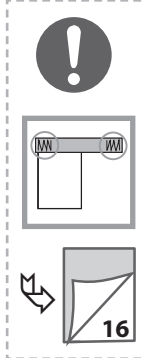
3 mm



1  
2x



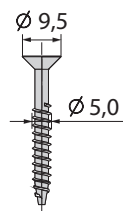
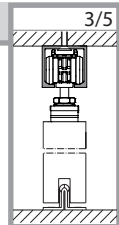
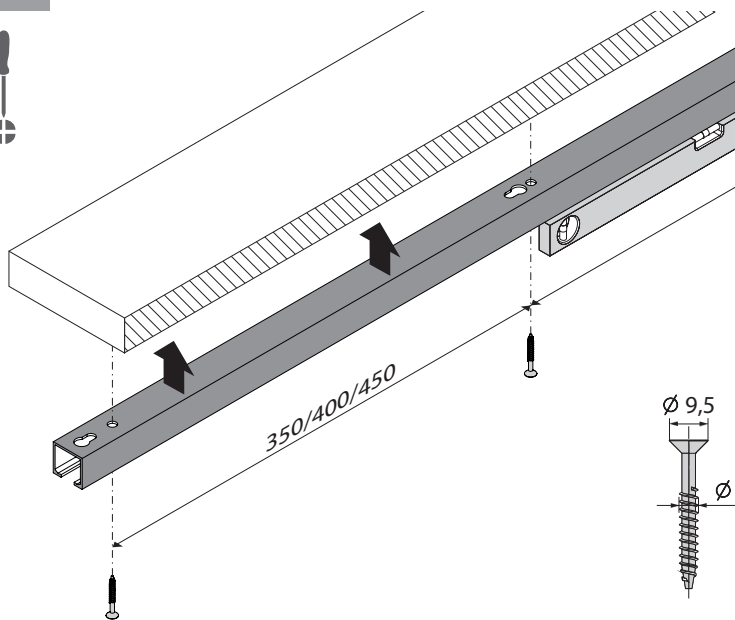
3



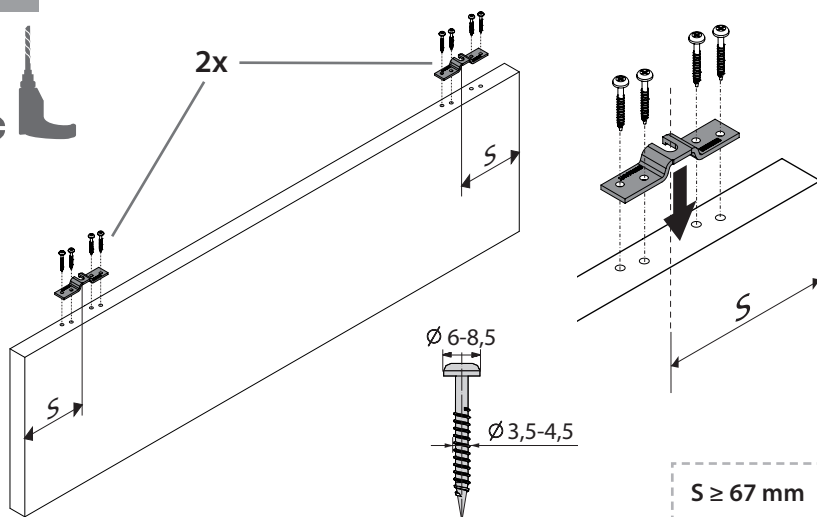
4

5

4



5



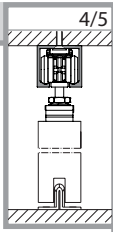
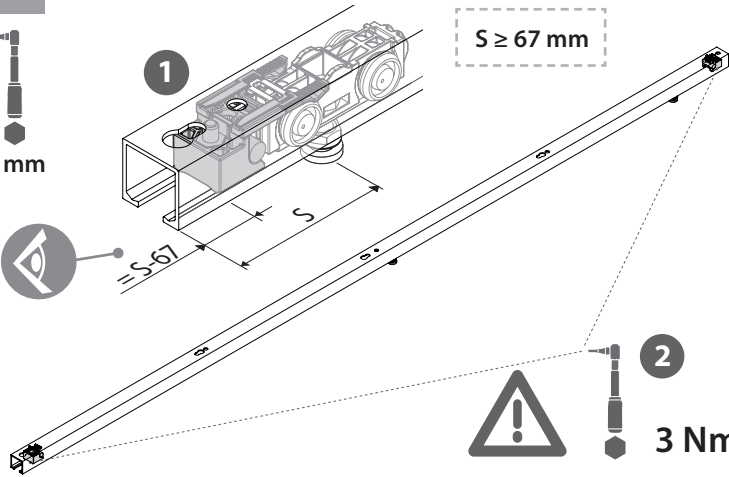
$S \geq 67 \text{ mm}$

6



1

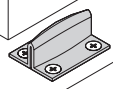
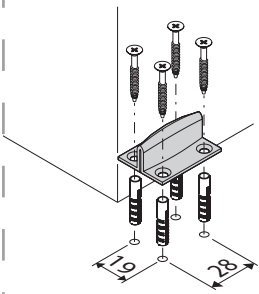
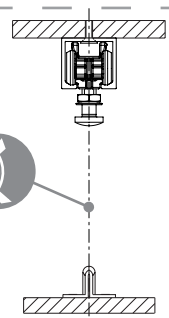
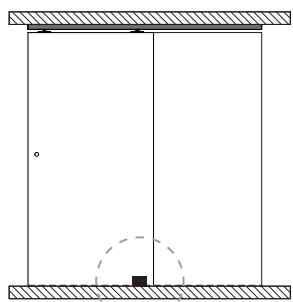
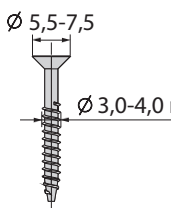
$S \geq 67 \text{ mm}$



2

3 Nm

7

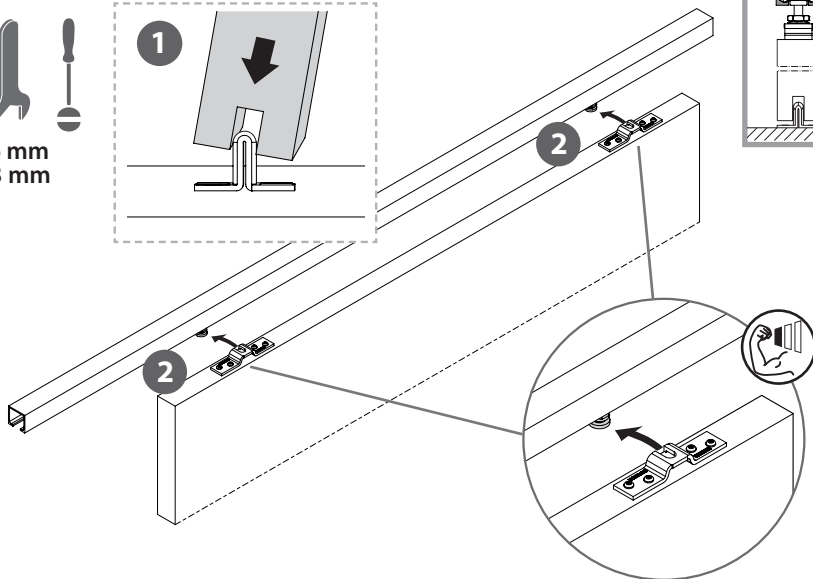
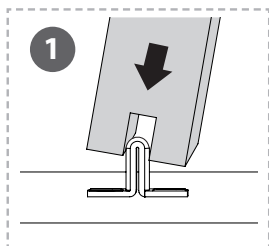


8

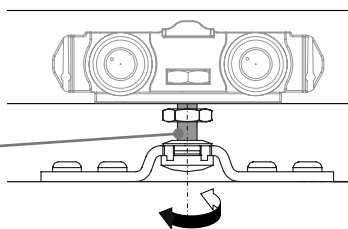
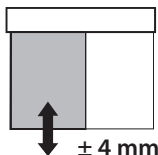
5/5



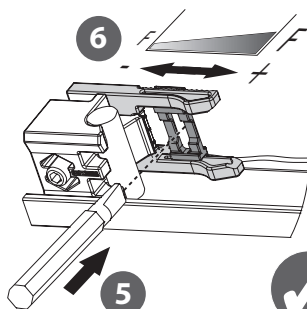
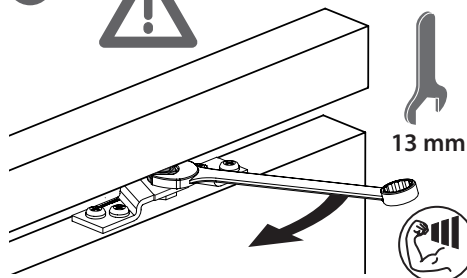
6 mm  
13 mm



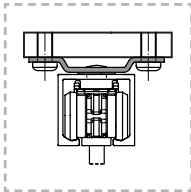
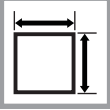
3 2x



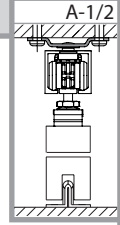
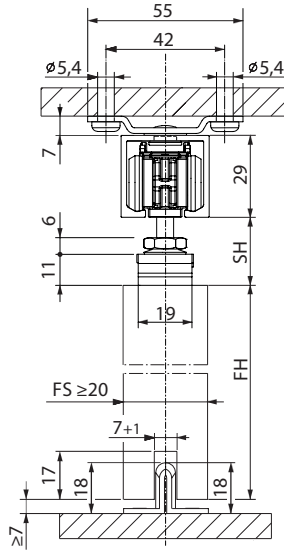
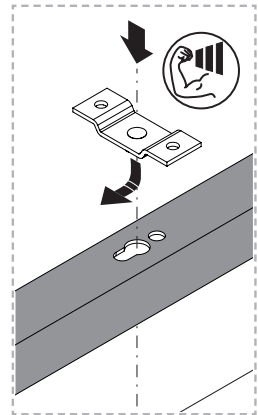
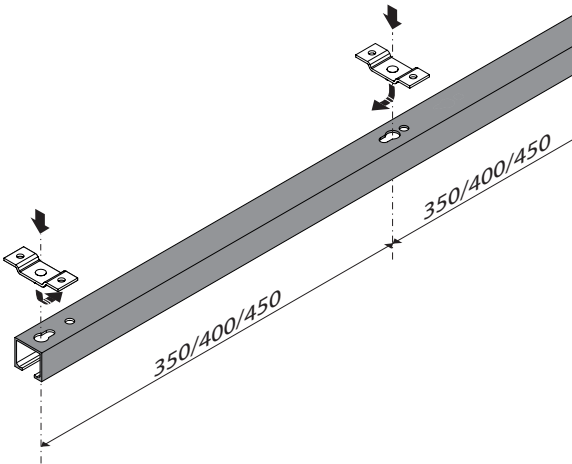
4 2x



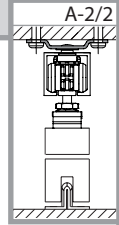
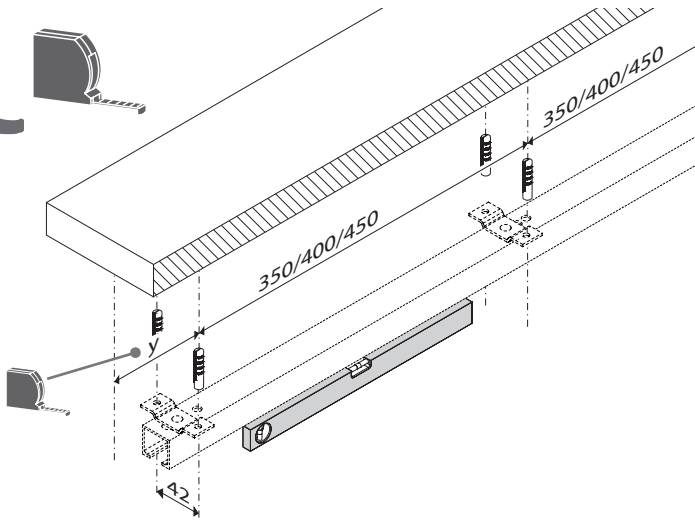


**A**

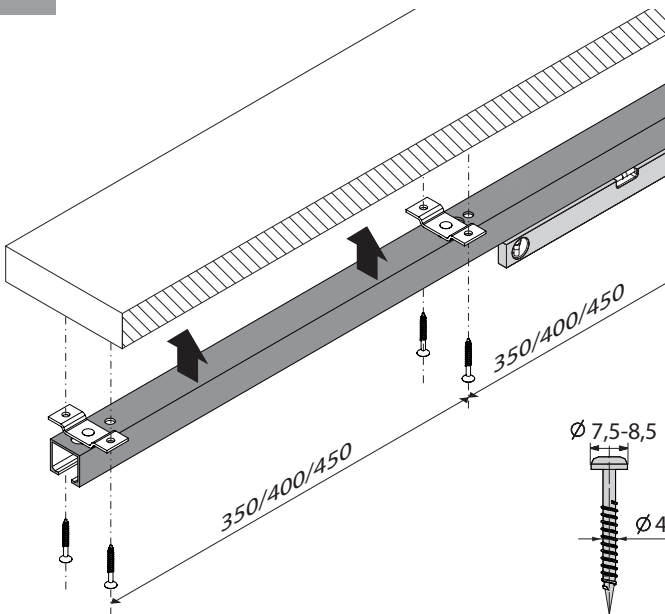
	SH [mm]
M8x42	32 ±4
M8x30	22 ±4
M8x30 =	

**i+ 1**

**i+ 2**



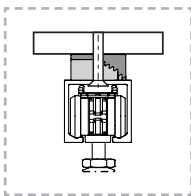
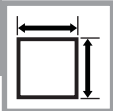
**i+ 4**



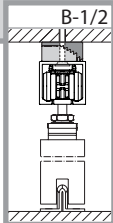
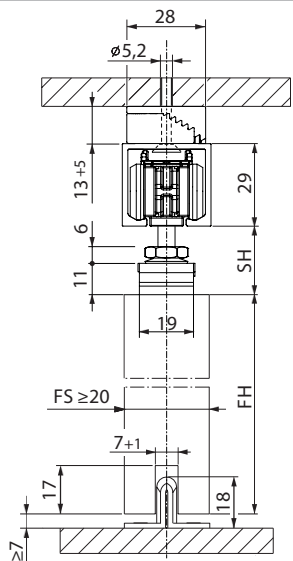
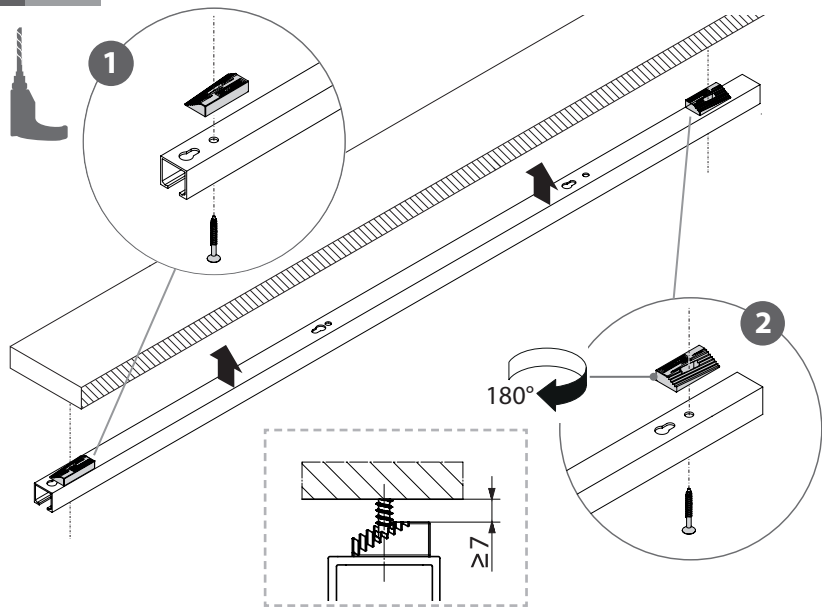
Ø 7,5-8,5

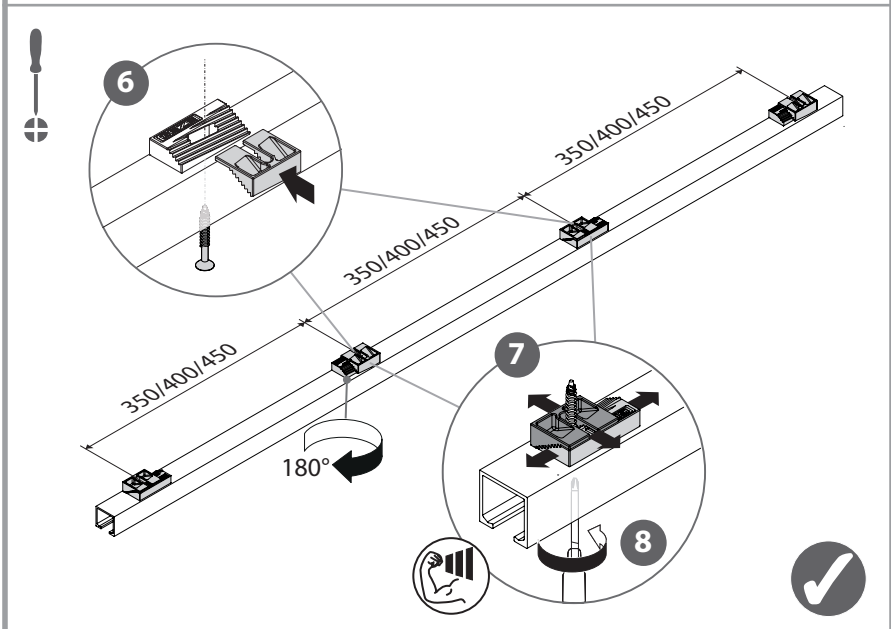
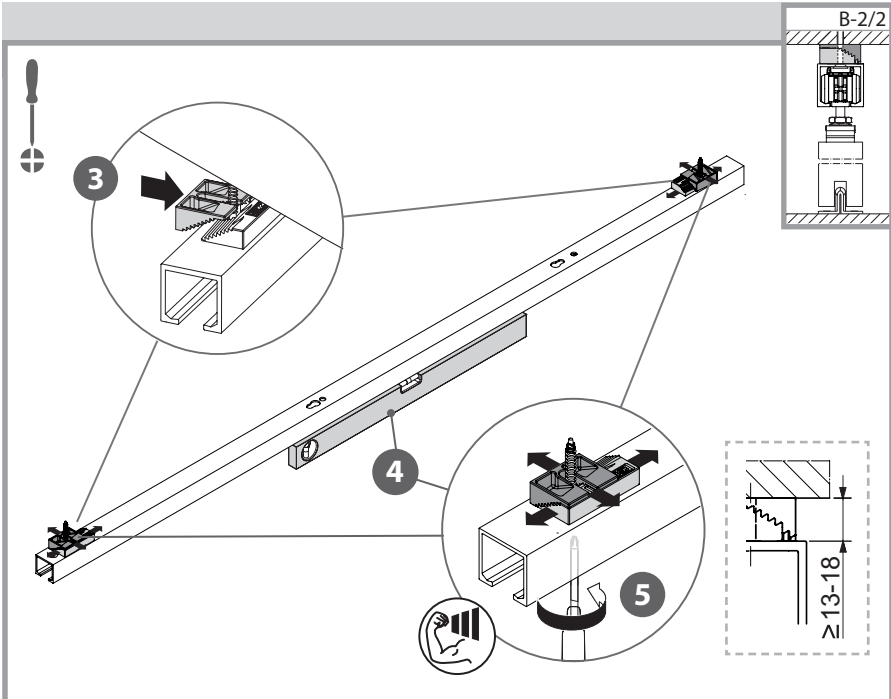
Ø 4,0-4,5



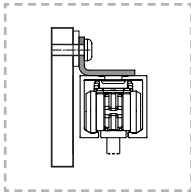
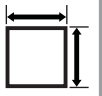
**B**

	SH [mm]
M8x42	32 ±4
M8x30	22 ±4
M8x30 =	

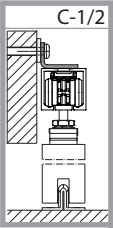
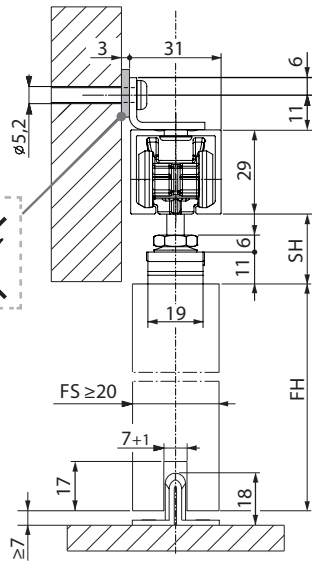
**i+ 4**



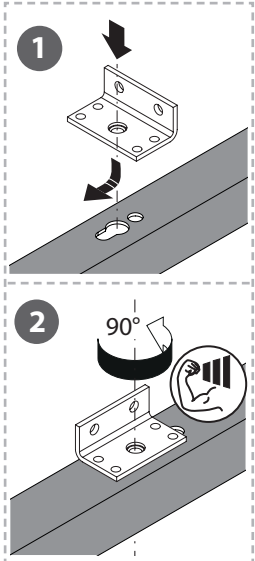
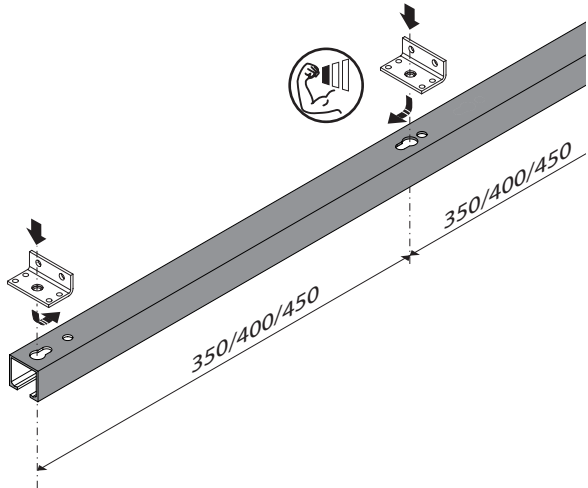
C



	SH [mm]
M8x42	32 ±4
M8x30	22 ±4
M8x30 =	

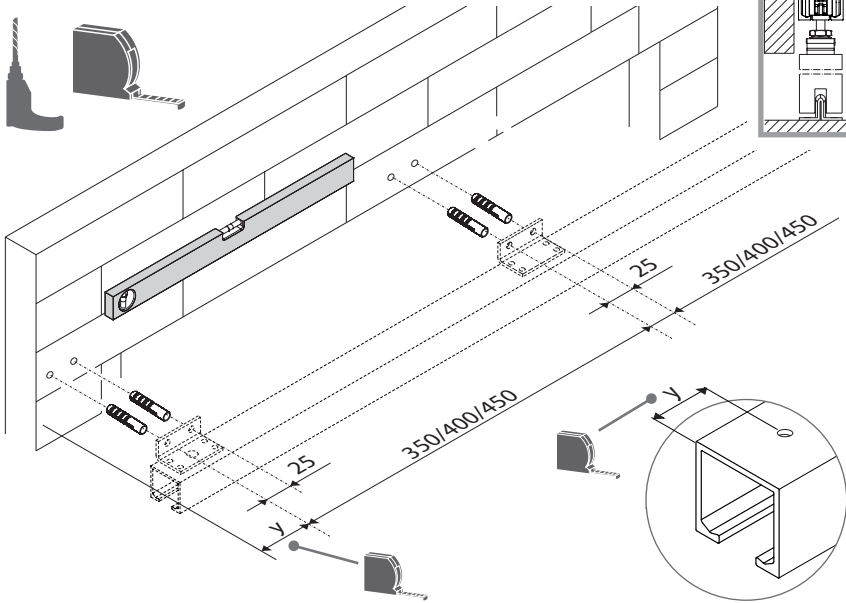


i+ 1

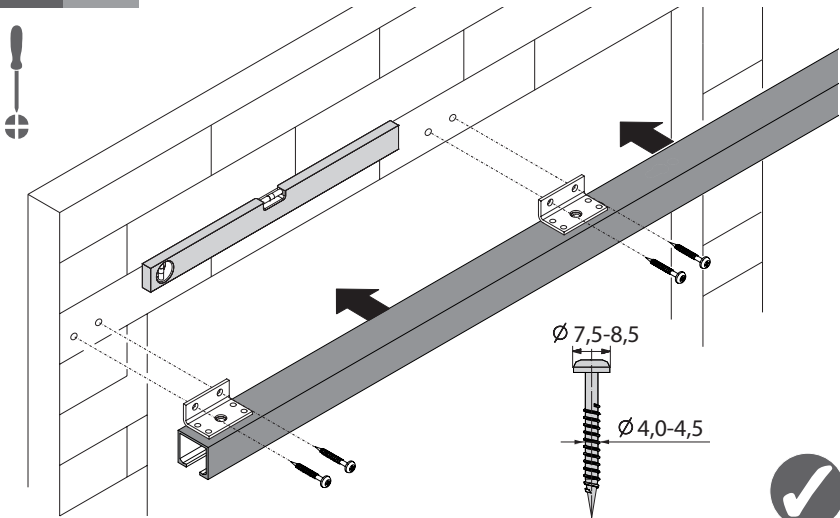


**i+ 2**

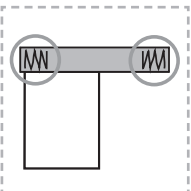
C-2/2



**i+ 4**



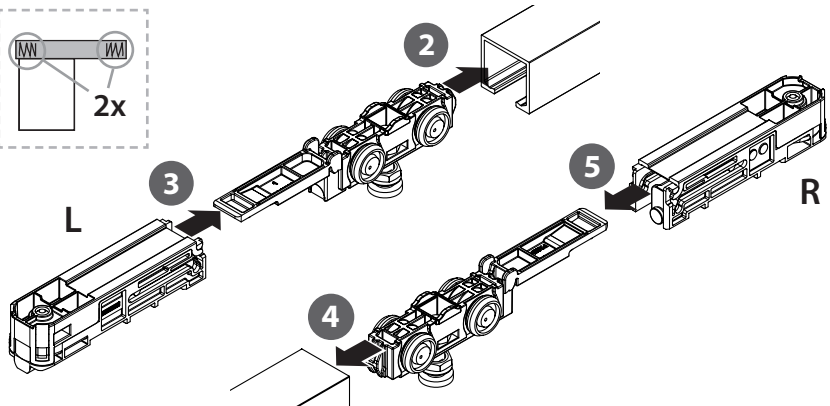
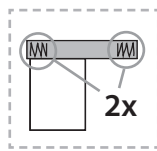
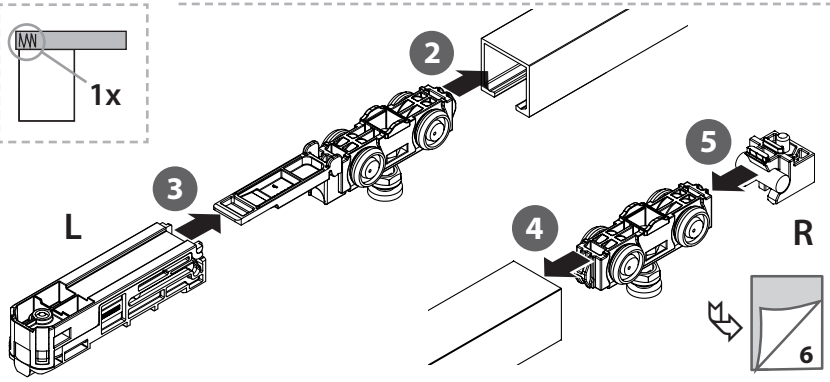
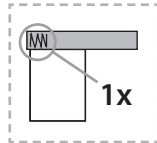
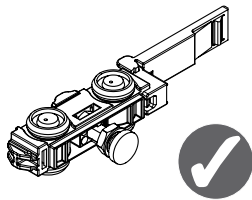
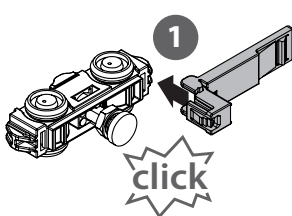
# D i+ 3



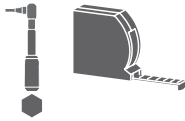
Rollan 40 NT



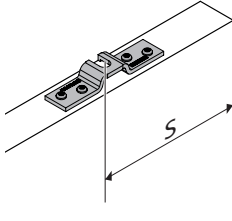
Rollan 80 NT



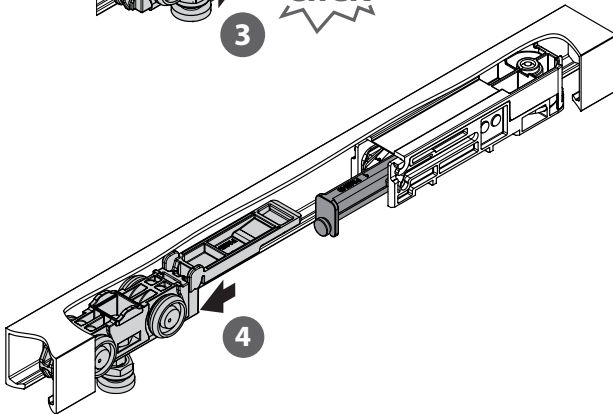
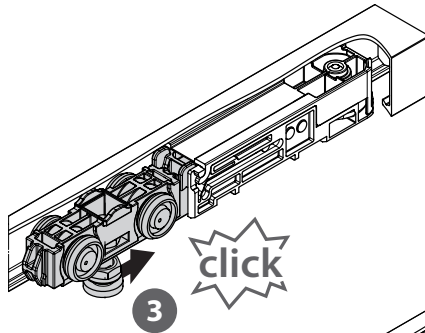
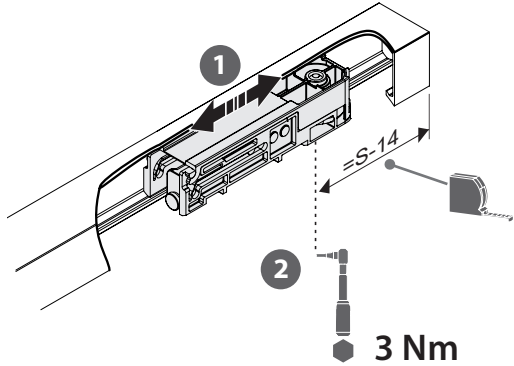
**i+** 6



3 mm

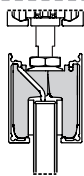


$S \geq 146 \text{ mm}$

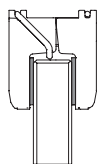
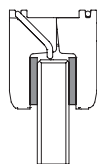
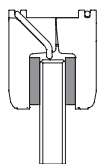
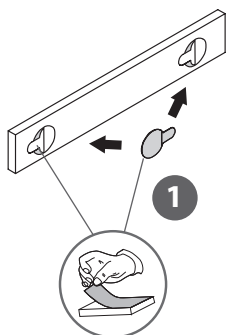




# E i+ 5



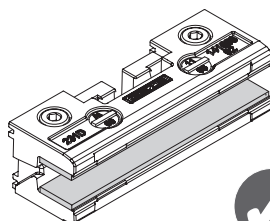
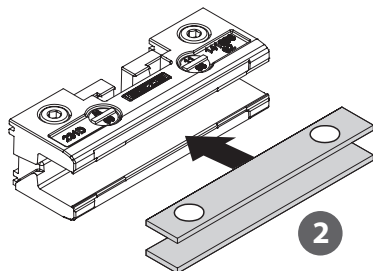
**ESG**  
EN 12150-1  
TEMPERED



2x3 mm  
ESG 8 mm

2x2 mm  
ESG 10 mm

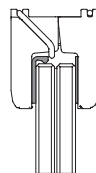
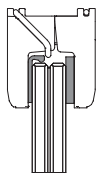
2x1 mm  
ESG 12 mm



**VSG/LSG**  
EN ISO  
12543-1

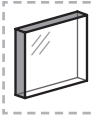


**ID 133034**

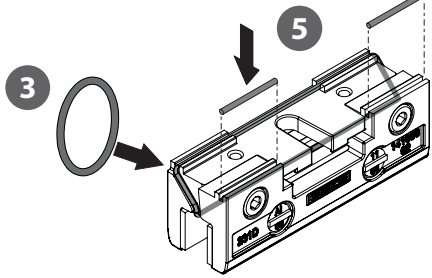
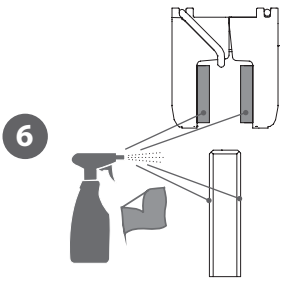
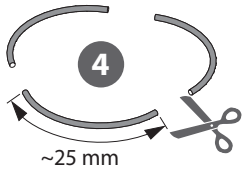


1x 3 mm  
VSG 8,76 mm

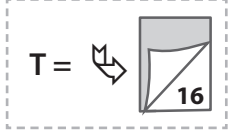
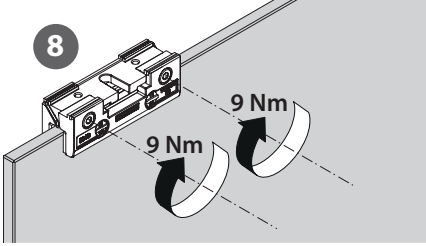
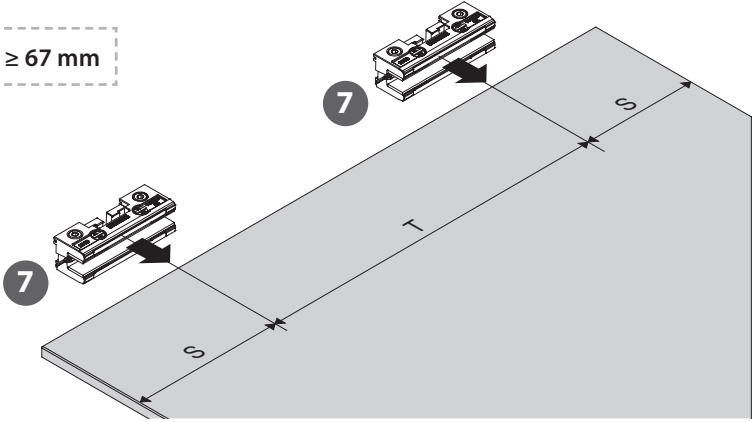
1x 2 mm  
VSG 10,76 mm



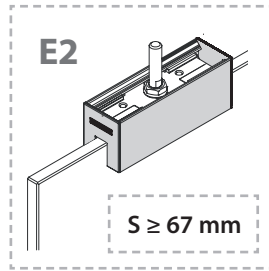
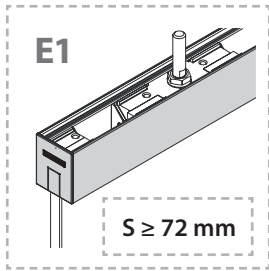
**ESG**  
EN 12150-1  
TEMPERED



$S \geq 67 \text{ mm}$



**i+**

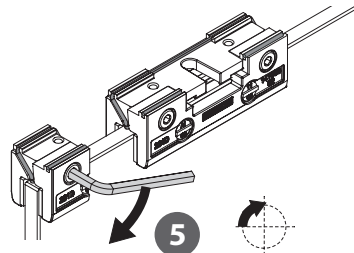
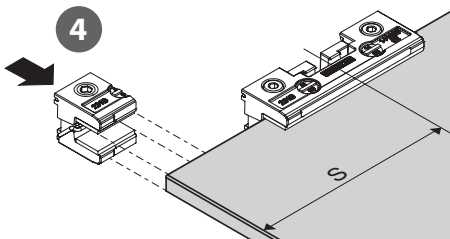
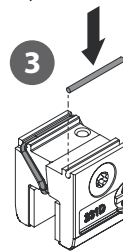
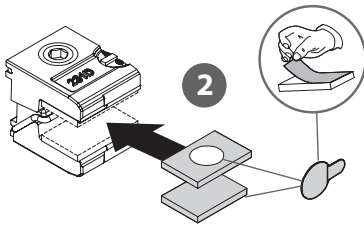
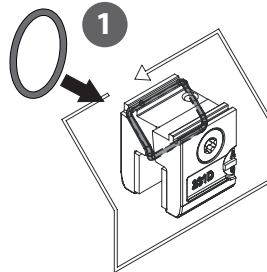


**i+ 2**

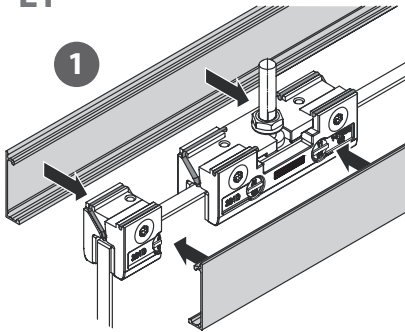


**E1**

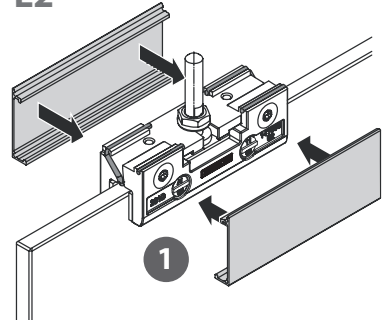
**E1 (S ≥ 250) = +**



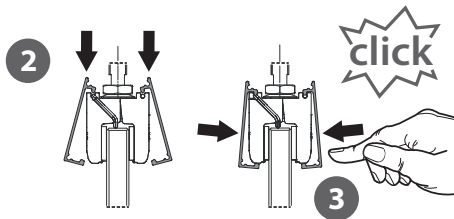
E1



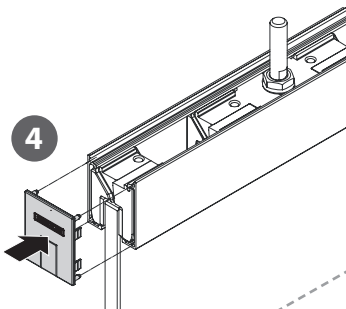
E2



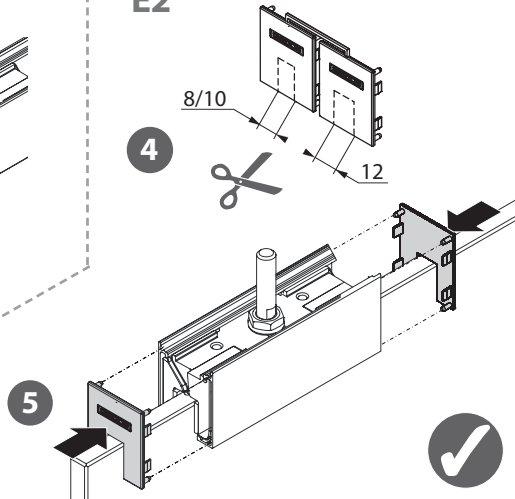
E1,E2

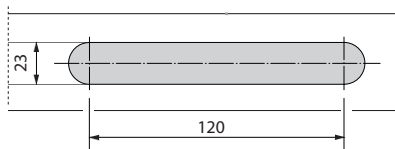
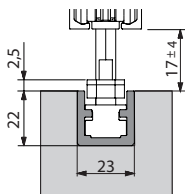
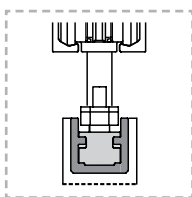
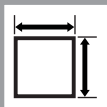
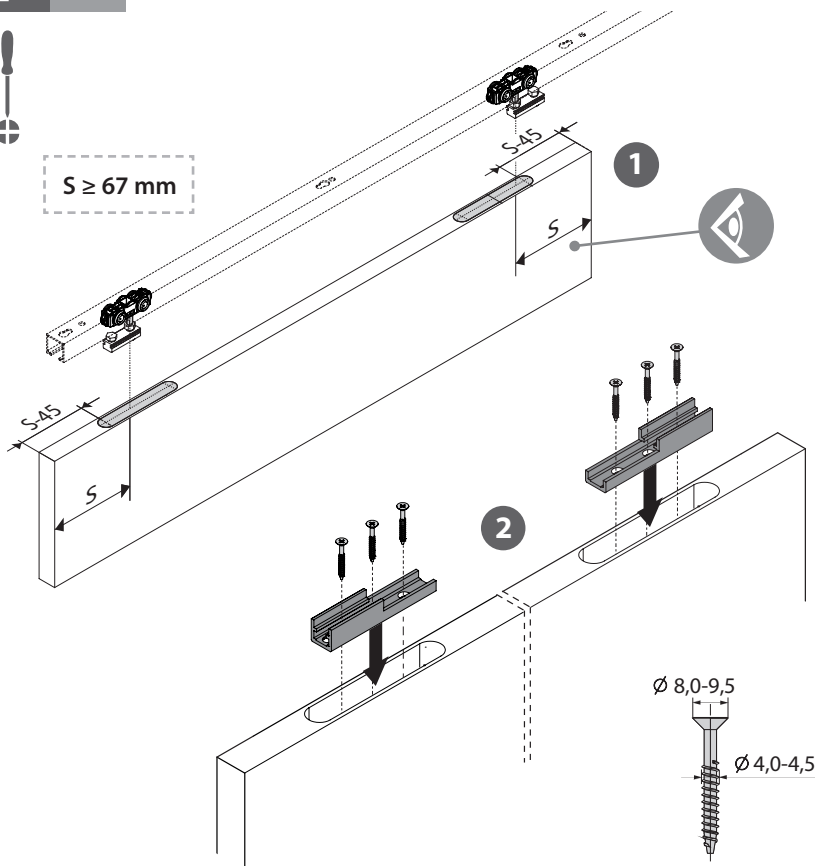


E1



E2

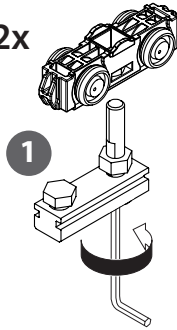


**F****i+ 2** $S \geq 67 \text{ mm}$ 

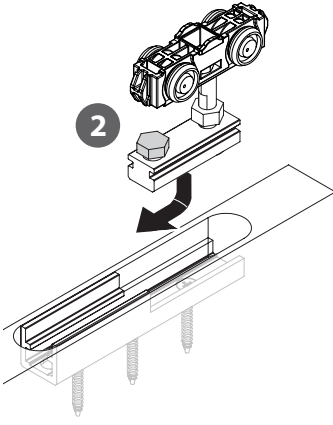
**i+ 7**

5 mm

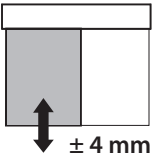
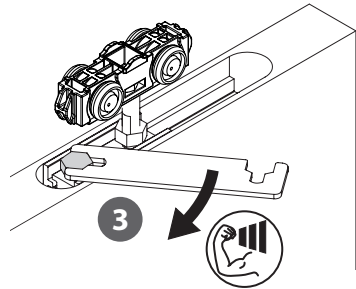
2x



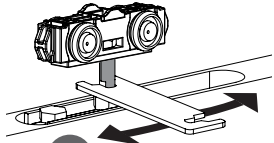
2



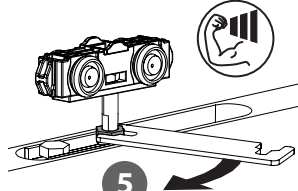
3

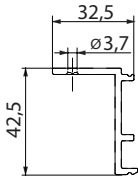
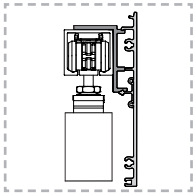
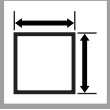
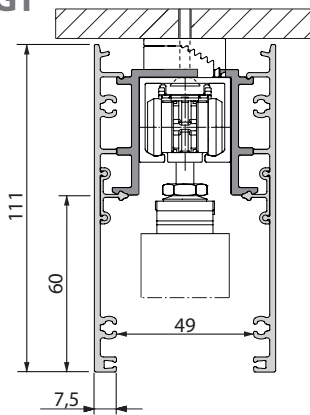
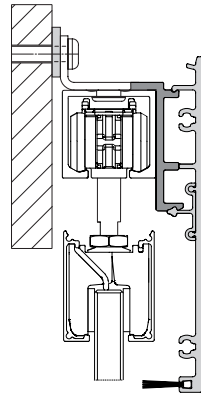
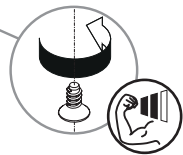
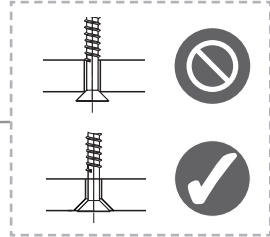
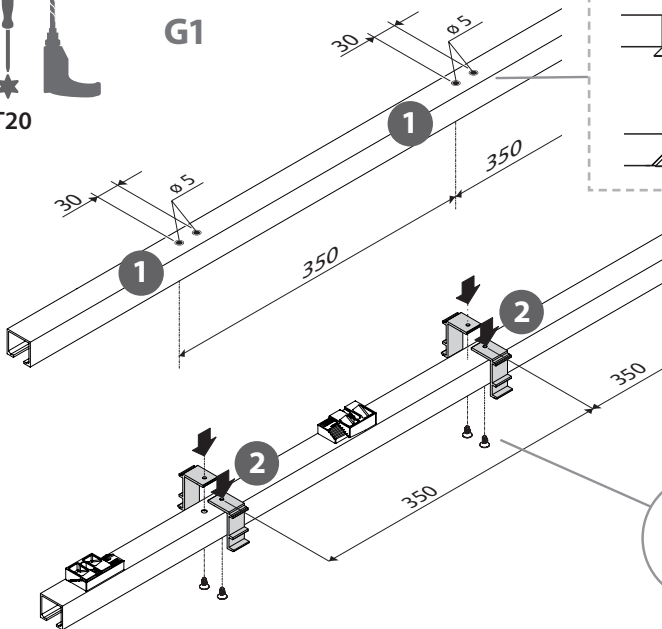


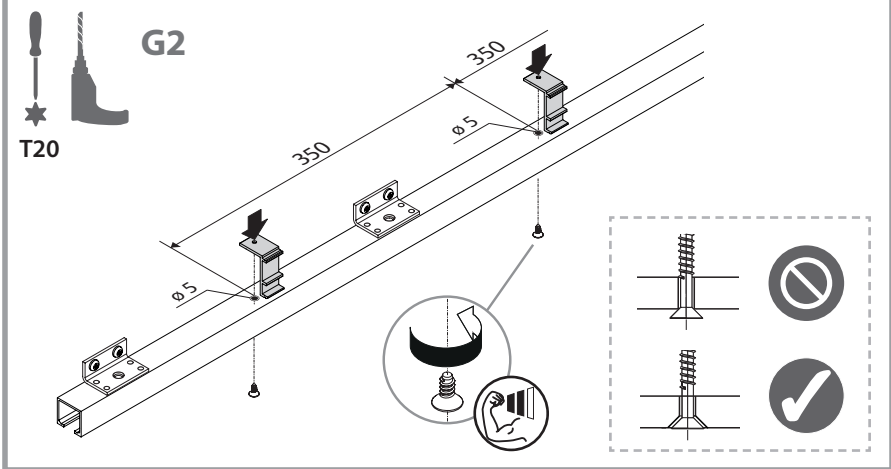
4



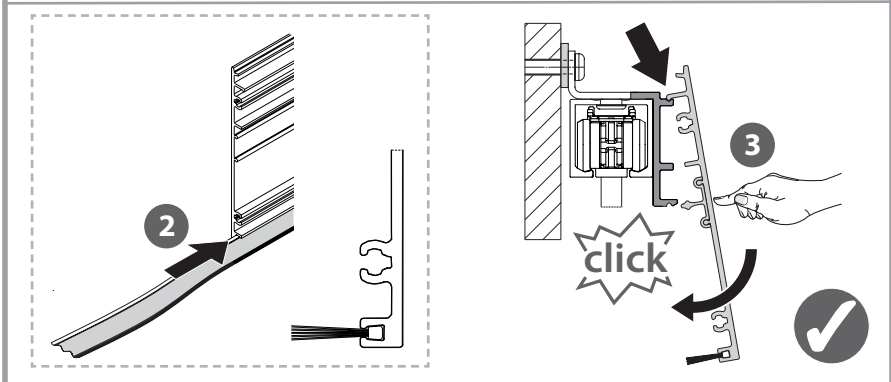
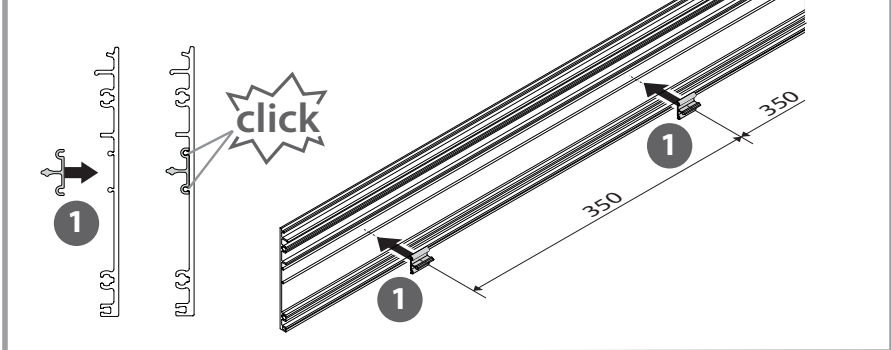
5



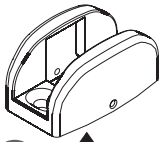
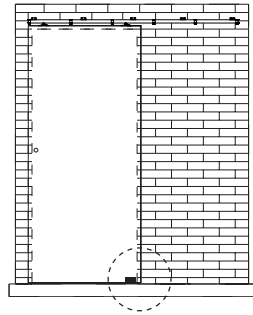
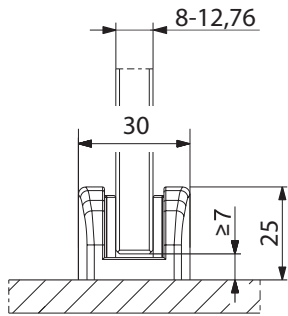
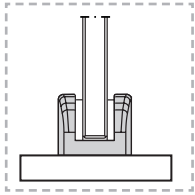
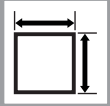
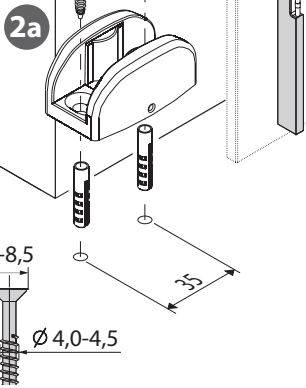
**G****G1****G2****i+ 2****T20****G1**



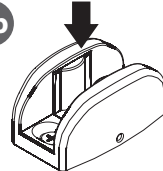
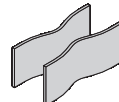
**i+ 8**



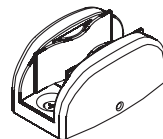
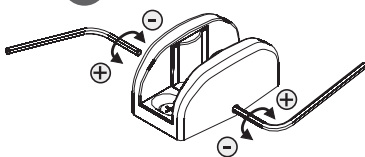


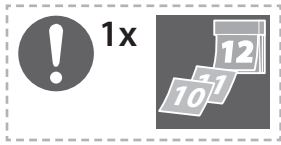
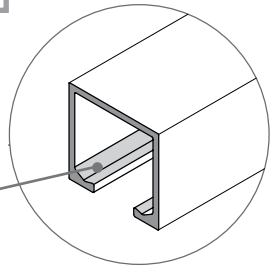
**H****1****2a**

EN 572-2  
EN 572-5

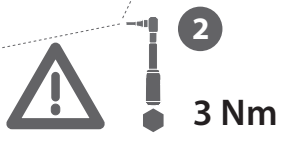
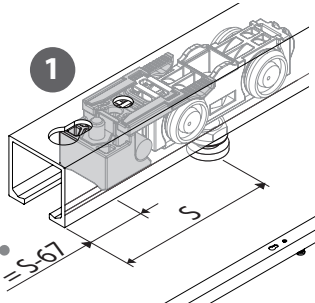
**2b**

2 mm

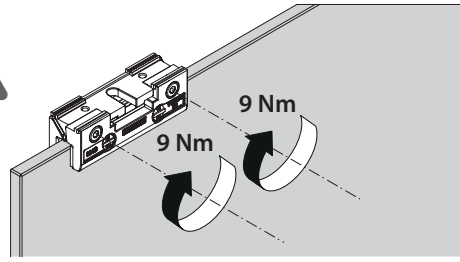
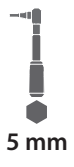
**3**

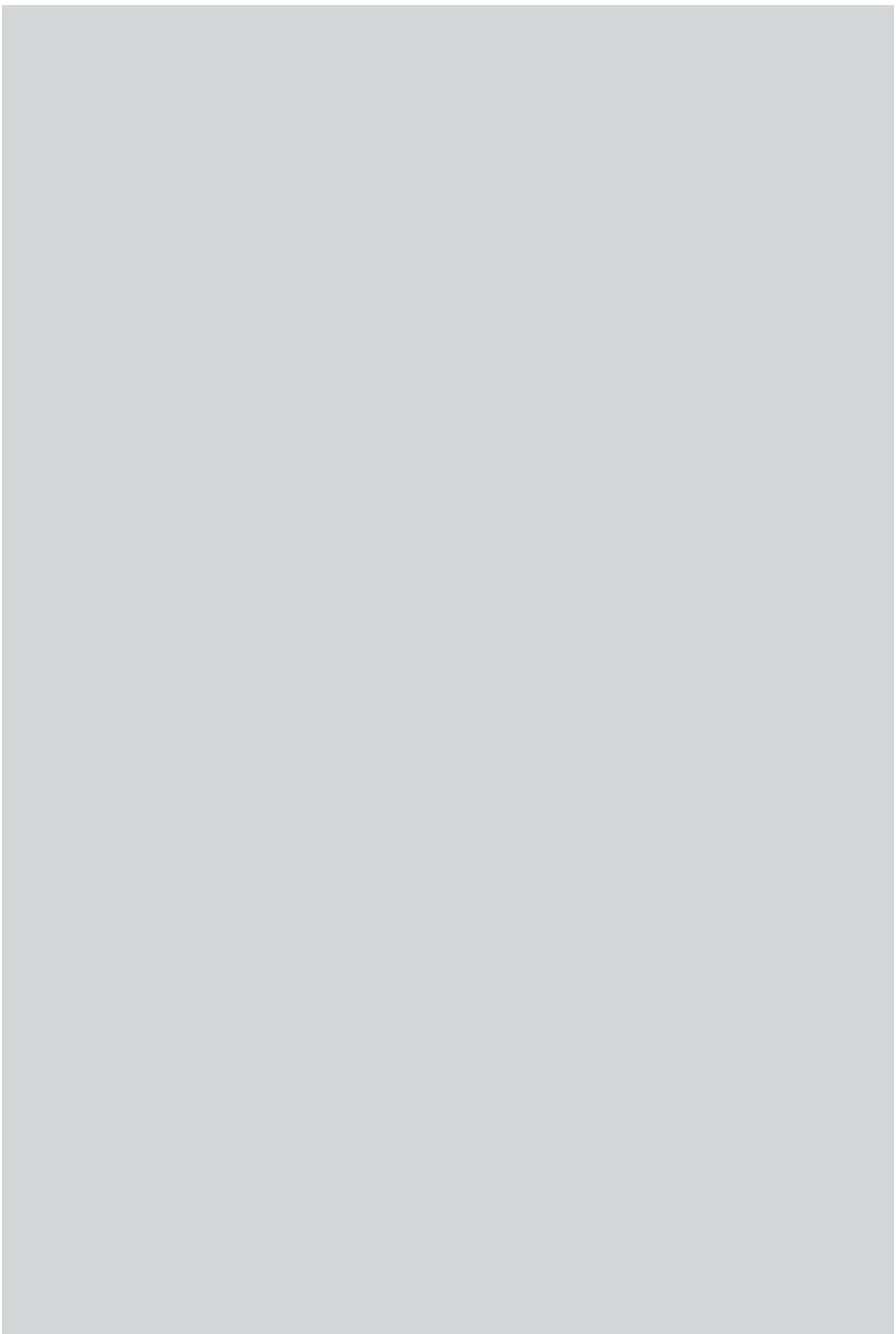


**i+ 6**



**i+ E**





## Germany

GEZE GmbH  
Niederlassung Süd-West  
Tel. +49 (0) 7152 203 594  
E-Mail: leonberg.de@geze.com  
GEZE GmbH  
Niederlassung Süd-Ost  
Tel. +49 (0) 7152 203 6440  
E-Mail: muenchen.de@geze.com  
GEZE GmbH  
Niederlassung Ost  
Tel. +49 (0) 7152 203 6840  
E-Mail: berlin.de@geze.com  
GEZE GmbH  
Niederlassung Mitte/Luxemburg  
Tel. +49 (0) 7152 203 6888  
E-Mail: frankfurt.de@geze.com

GEZE GmbH  
Niederlassung West  
Tel. +49 (0) 7152 203 6770  
E-Mail: duesseldorf.de@geze.com  
GEZE GmbH  
Niederlassung Nord  
Tel. +49 (0) 7152 203 6600  
E-Mail: hamburg.de@geze.com  
GEZE Service GmbH  
Tel. +49 (0) 1802 923392  
E-Mail: service-info.de@geze.com

## Austria

GEZE Austria  
E-Mail: austria.at@geze.com  
www.geze.at

## Baltic States

GEZE GmbH Baltic States office  
E-Mail: office-latvia@geze.com  
www.geze.com

## Benelux

GEZE Benelux B.V.  
E-Mail: benelux.nl@geze.com  
www.geze.be  
www.geze.nl

## Bulgaria

GEZE Bulgaria - Trade  
E-Mail: office-bulgaria@geze.com  
www.geze.bg

## China

GEZE Industries (Tianjin) Co., Ltd.  
E-Mail: chinasales@geze.com.cn  
www.geze.com.cn

GEZE Industries (Tianjin) Co., Ltd.  
Branch Office Shanghai  
E-Mail: chinasales@geze.com.cn  
www.geze.com.cn

GEZE Industries (Tianjin) Co., Ltd.  
Branch Office Guangzhou  
E-Mail: chinasales@geze.com.cn  
www.geze.com.cn

GEZE Industries (Tianjin) Co., Ltd.  
Branch Office Beijing  
E-Mail: chinasales@geze.com.cn  
www.geze.com.cn

## France

GEZE France S.A.R.L.  
E-Mail: france.fr@geze.com  
www.geze.fr

## Hungary

GEZE Hungary Kft.  
E-Mail: office-hungary@geze.com  
www.geze.hu

## Iberia

GEZE Iberia S.R.L.  
E-Mail: info@geze.es  
www.geze.es

## India

GEZE India Private Ltd.  
E-Mail: office-india@geze.com  
www.geze.in

## Italy

GEZE Italia S.r.l.  
E-Mail: italia.it@geze.com  
www.geze.it

GEZE Engineering Roma S.r.l.  
E-Mail: roma@geze.biz  
www.geze.it

## Poland

GEZE Polska Sp.z o.o.  
E-Mail: geze.pl@geze.com  
www.geze.pl

## Romania

GEZE Romania S.R.L.  
E-Mail: office-romania@geze.com  
www.geze.ro

## Russia

OOO GEZE RUS  
E-Mail: office-russia@geze.com  
www.geze.ru

## Scandinavia – Sweden

GEZE Scandinavia AB  
E-Mail: sverige.se@geze.com  
www.geze.se

## Scandinavia – Norway

GEZE Scandinavia AB avd. Norge  
E-Mail: norge.se@geze.com  
www.geze.no

## Scandinavia – Denmark

GEZE Danmark  
E-Mail: danmark.se@geze.com  
www.geze.dk

## Singapore

GEZE (Asia Pacific) Pte, Ltd.  
E-Mail: gezesea@geze.com.sg  
www.geze.com

## South Africa

GEZE South Africa (Pty) Ltd.  
E-Mail: info@gezesa.co.za  
www.geze.co.za

## Switzerland

GEZE Schweiz AG  
E-Mail: schweiz.ch@geze.com  
www.geze.ch

## Turkey

GEZE Kapı ve Pencere Sistemleri  
E-Mail: office-turkey@geze.com  
www.geze.com

## Ukraine

LLC GEZE Ukraine  
E-Mail: office-ukraine@geze.com  
www.geze.ua

## United Arab Emirates/GCC

GEZE Middle East  
E-Mail: gezeme@geze.com  
www.geze.ae

## United Kingdom

GEZE UK Ltd.  
E-Mail: info.uk@geze.com  
www.geze.com

## GEZE GmbH

Reinhold-Vöster-Straße 21–29  
71229 Leonberg  
Germany

Tel.: 0049 7152 203 0  
Fax: 0049 7152 203 310  
www.geze.com

