

GEZE Rollan 40 N / Rollan 80

The quiet roller-guided sliding door systems for simple sliding concepts

The quiet GEZE Rollan 40 N and Rollan 80 roller-guided sliding door systems enable uncomplicated integration of sliding concepts in indoor spaces. The ceiling and wall fixing supports diverse use, including in through-doors, partition walls and cloakrooms. The level contact surface of the running track reduces the noise generated on opening and closing. The running track can be uniformly used for Rollan 40 N and Rollan 80 and for any leaf material. This reduces planning and storage costs and therefore enables simple adjustment to changing use circumstances. Equally, the closed version of the running track prevents the penetration of dust and dirt. The distance between the door leaf and track can be easily set or readjusted using the suspension bolt, even when installed.

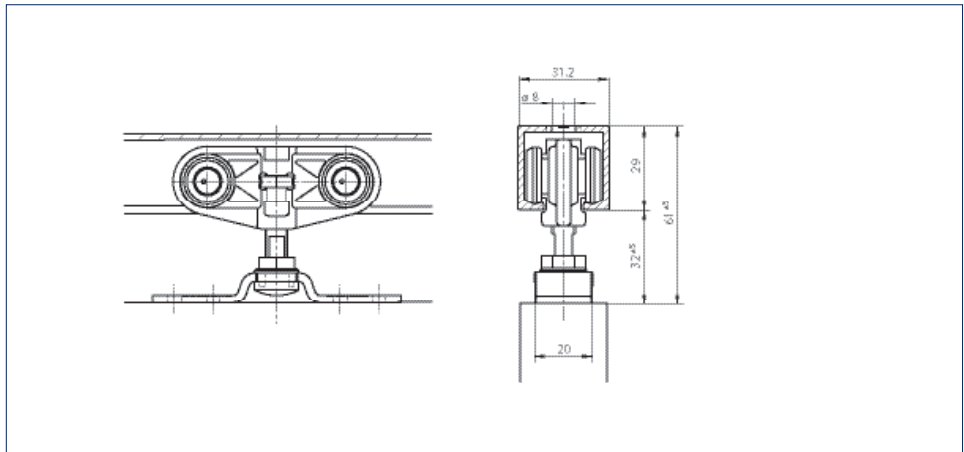
The complete sets consist of the running track with differing length, 2 roller carriages, 2 carrier plates, 2 tube buffers and 1 floor guide. A hold-open spring is also included in the Rollan 80 set.

Alternatively, the track (6 m long or bespoke length) and the accessories can be ordered separately.

GEZE Rollan 40 N / Rollan 80



GEZE Rollan 40 N / Rollan 80



Application range

- For wood, metal and glass doors
- A glass connection patch is available for glass leaves
- For all single and multi-leaf sliding doors
- Due to its smooth running it is particularly suitable for doors in the home and office

Technical data

Product features	GEZE Rollan 40 N / Rollan 80
Door material	Wood, Plastic, Metal, Glass
Leaf weight (max.)	40 kg
Leaf weight (max.)	40 / 80 kg
Number of leaves	1-leaf, 2-leaf
Test cycles	50000
Corrosion protection class	1
Type of installation	Wall installation , Ceiling installation
Telescope	-
Automated	-
Fixed panel	-
Draw-in damping	● max. 40 kg

- = YES
- = NOT AVAILABLE

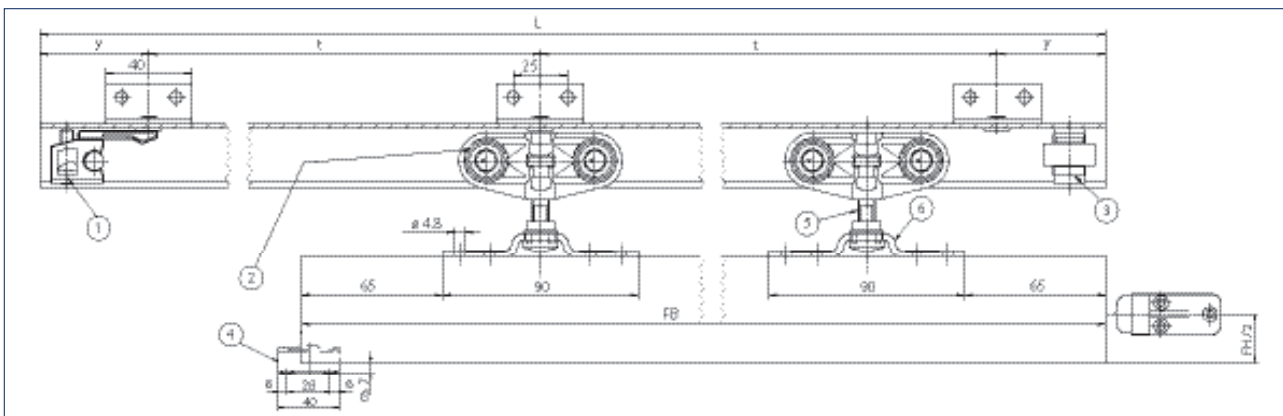
Standard width in mm

Leaf width (FB)	Running track length (L)	Hole spacing (t)	Number of wall and ceiling brackets (x)	Distance from end of running track to centre of hole of fixing bracket (y)
500 - 590	1150	350	4	50
500 - 840	1650	450	4	150
500 - 920	1800	400	5	100
500 - 970	1900	450	5	50
500 - 1190	2350	450	6	50
500 - 1420	2800	450	7	50
500 - 1640	3250	450	8	50
Standard length (LL)	6100	350	18	50

Standard installation

Drawing No. 10417-ep03

Mounting on a 1-leaf sliding door with wooden leaf and carrier plate:

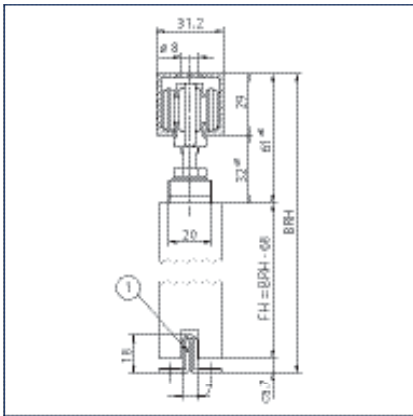


- 1 = Tube buffer adjustable with hold-open device in the running track
- 2 = Double roller carriage
- 3 = Tube buffer adjustable in the running track
- 4 = Floor guide
- 5 = Suspension bolt Perlan 140
- 6 = Carrier plate
- L = Runner length
- y = Distance between the end of the running track to the centre of the first drilled hole
- t = Hole spacing
- FB = Leaf width
- FH = Leaf height

Rollan, Perlan, Levolan, Aerolan, Geolan
Sliding door systems

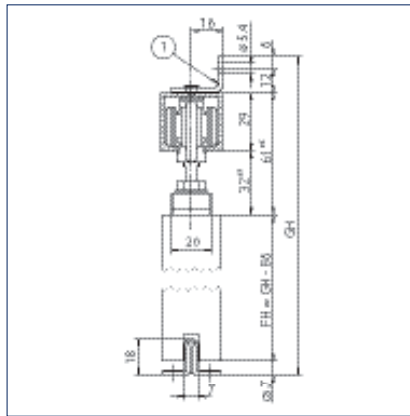
GEZE SLIDING DOOR SYSTEMS

The fitting can be fixed directly on the ceiling or fixed to the wall or ceiling using an angle bracket or plate:



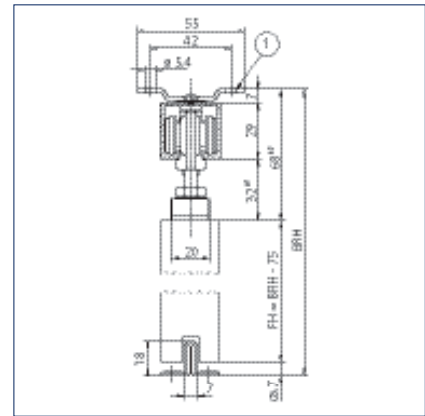
Direct ceiling mounting

- 1 = Floor guide
- FH = Leaf height
- BRH = Overall height



Wall mounting with angle bracket

- 1 = Wall attachment bracket Perlan 140
- FH = Leaf height
- GH = Total height



Ceiling installation with plate

- 1 = Ceiling fixing plate
- FH = Leaf height
- BRH = Overall height

Classification to EN 1527:1998

GEZE Rollan 40 N								
Category of use	Durability	Door weight	Fire resistance	Safety	Corrosion resistance	Security	Category of door	Initial friction
-	5	1	0	-	1	-	1	3

A DESCRIPTION OF THE CLASSES IS GIVEN AT THE END OF THE CATALOGUE.

Classification to EN 1527:1998

GEZE Rollan 80								
Category of use	Durability	Door weight	Fire resistance	Safety	Corrosion resistance	Security	Category of door	Initial friction
-	5	2	0	-	1	-	1	3

A DESCRIPTION OF THE CLASSES IS GIVEN AT THE END OF THE CATALOGUE.

GEZE Rollan 40 N / Rollan 80 - Order information

Description	Leaf width from - to	Length	ID.No.
GEZE Rollan 40 N complete set Set for wall and ceiling mounting with wooden leaf standard, up to 40 kg leaf weight	500 mm	1150 mm	120162
	590 mm		
	500 mm	1650 mm	120163
	840 mm		
	500 mm	1800 mm	120164
	920 mm		
	500 mm	1900 mm	120165
	970 mm		
500 mm	2350 mm	120166	
1190 mm			
500 mm	2800 mm	120167	
1420 mm			

Description	Leaf width from - to	Length	ID.No.
GEZE Rollan 80 complete set Set for wall and ceiling mounting with wooden leaf standard, up to 80 kg leaf weight	500 mm 840 mm	1650 mm	120170
	500 mm 920 mm	1800 mm	120171
	500 mm 970 mm	1900 mm	120172
	500 mm 1190 mm	2350 mm	120173
	500 mm 1420 mm	2800 mm	120174
	500 mm 1640 mm	3250 mm	120175
GEZE Rollan 80 complete set Set for wall and ceiling mounting with glass leaf, glass clamping plate individual cover EV1, up to 80 kg leaf weight	500 mm 970 mm	1900 mm	135071
Accessories			
Rollan 40 N/80 running track		6000 mm	120150
Rollan 40 N/80 running track Cut to size, per m			120151
Rollan 40 N/80 carrier plate Without suspension bolt and attachment material			026654
Lowerable carrier plate set 2 pcs., for milling into the wooden leaf, including suspension bolts and flat open-ended spanner for height adjustment			138015
Rollan 40 N/80 wall fixing bracket Without attachment material			125858
Ceiling fixing plate Without attachment material			069991
Rollan 80 double roller carriage without suspension bolt Dark grey, up to 80 kg leaf weight			069539
Rollan 40 N double roller carriage with suspension bolt Light grey, up to 40 kg leaf weight			055779
Rollan 40 N double roller carriage without suspension bolt Light grey, up to 40 kg leaf weight			069541
Rollan 80 double roller carriage with suspension bolt Dark grey, up to 80 kg leaf weight			055778
Adjustable glass floor guide infinitely adjustable for glass thickness 8-13,5 mm, with frieze band for noise reduction with struc- tured glass surfaces, without attachment material			120417
Frieze band for adjustable glass floor guide for use with structured glass or rough surface			143869
Stainless steel floor guide For 8, 10, 12 mm glass			134990
Floor guide, standard Without attachment material			002191
Door push bar, configured			127616
Flush pull, 8-12 mm glass Closed, outer diameter 60 mm, glass drill hole 40 mm			138670
Flush pull, 8-12 mm glass Open, outer diameter 70 mm, glass drill hole 60 mm, specify glass thickness when ordering			127617
Flush pull, 15-80 mm wood Outer diameter 60 mm, specify leaf thickness when ordering			127614
Angle buffer			000339
Rollan 40 N/80 tube buffer with hold-open spring			120161
Rollan 40 N/80 tube buffer without hold-open spring			120192

Rollan, Perlan,
 Levolan, Aerolan,
 Geclan

Sliding door
 systems

Description	Leaf width from - to	Length	ID.No.
Rollan 40 N/80 suspension bolt with nut			038183
Adjustable hold-open mechanism			069272
Accessories set basic components Rollan 40 N for ceiling mounting, comprising: 2 x double-roller carriage, 2 x tube buffer, 2 x carrier plate, 2 x suspension bolt, 1 x floor guide wood	500 mm 1420 mm		120306
Accessories set basic components Rollan 40 N for wall mounting, comprising: 2 x double-roller carriage, 2 x tube buffer, 2 x carrier plate, 2 x suspension bolt, 1 x floor guide wood, inc. standard wall bracket (length = usable up to running track length)	500 mm 970 mm	1900 mm	120307
	500 mm 1420 mm	2800 mm	120308
Accessories set basic components Rollan 80 for ceiling mounting, comprising: 2 x double-roller carriage, 2 x tube buffer (1 x with hold-open mechanism), 2 x carrier plate, 2 x suspension bolt, 1 x floor guide wood	500 mm 1420 mm		120176
Accessories set basic components Rollan 80 for wall mounting, comprising: 2 x double-roller carriage, 2 x tube buffer (1 x with hold-open mechanism), 2 x carrier plate, 2 x suspension bolt, 1 x floor guide wood, inc. standard wall bracket (length = usable up to running track length)	500 mm 970 mm	1900 mm	120177
	500 mm 1420 mm	2800 mm	120178



GEZE Rollan

GEZE Rollan 40 N SoftStop

Gentle closing with protection against entrapment

GEZE sliding door systems with Rollan 40 N SoftStop draw-in damping perfectly combine comfort, convenience and safety for sliding doors. Uncontrolled stopping at the frame or the buffer is now a thing of the past. The door is braked gently and automatically returns to the zero position. The gentle draw-in to the end position is easy on the door and the fitting and increases the door's life.

With a total height of only 29 mm, Rollan 40 N SoftStop is completely concealed in the track. The draw-in damping also acts as entrapment protection, as the door's movement is braked over the last centimetres of closing. The GEZE Rollan 40 N SoftStop draw-in damping is available as a standard feature for leaf widths between 500-1640 mm.

The set contains a Rollan 40 N SoftStop roller carriage for one or two-sided damping. The standard set also includes 1 or 2 carrier hooks including fixing screws, 2 x track buffers, 2 x suspension bolts as well as 2 x carrier plates.

GEZE Rollan 40 N SoftStop



GEZE Rollan 40 N SoftStop



Application range

- For wood, plastic, glass and metal leaves up to 40 kg leaf weight
- A glass connection patch is available for glass leaves
- For all single and multi-leaf sliding doors
- Damped on one or both sides
- Particularly suitable for doors in the home and office

Technical data

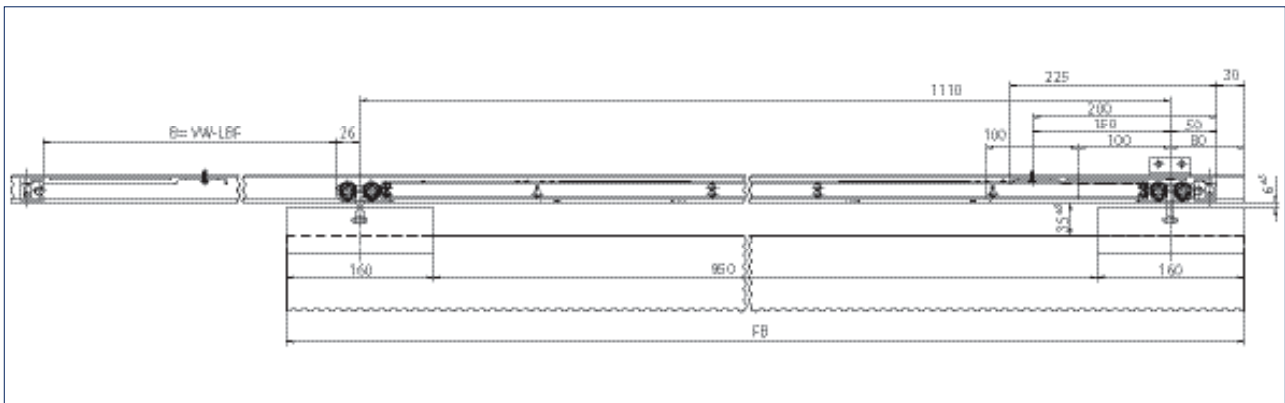
Product features	GEZE Rollan 40 N SoftStop
Door material	Wood, Plastic, Metal, Glass
Leaf weight (max.)	40 kg
Number of leaves	1-leaf, 2-leaf
Test cycles	100000
Type of installation	Wall installation , Ceiling installation
Telescope	-
Automated	-
Fixed panel	-
Draw-in damping	●

- = YES
- = NOT AVAILABLE

SoftStop draw-in damping

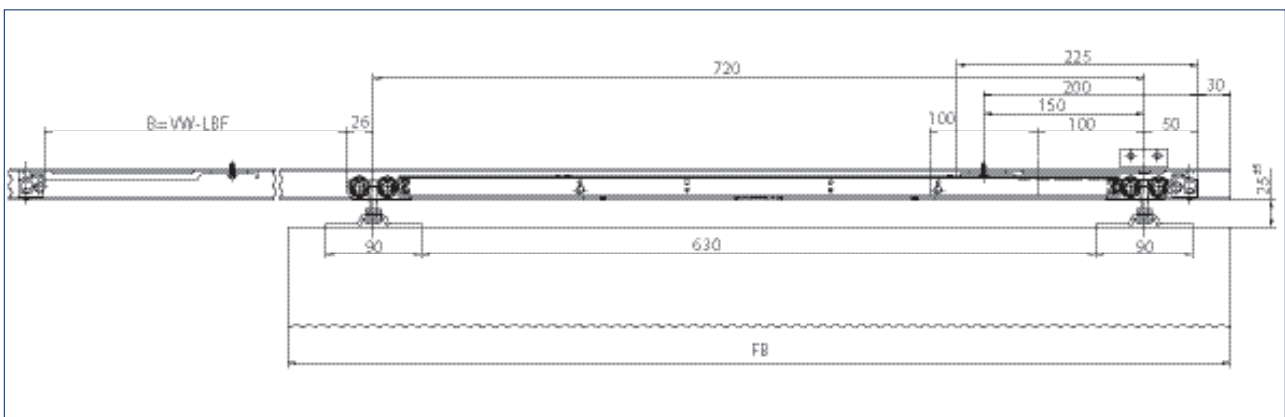
Drawing No. 10417-ep06

For example, with glass leaves, 2-sided, long, damping in both directions



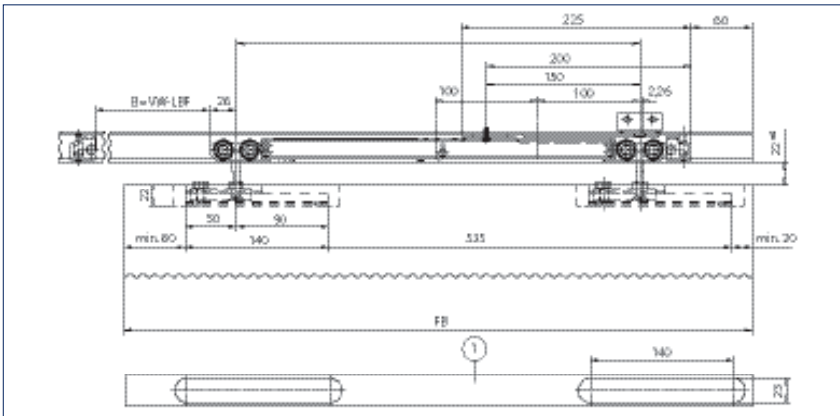
- VW = Range of movement
- LBF = Length, floor guide
- FB = Recommended leaf width 1270 - 1700 mm

For example, with wooden leaves, 2-sided, medium, damping in both directions:



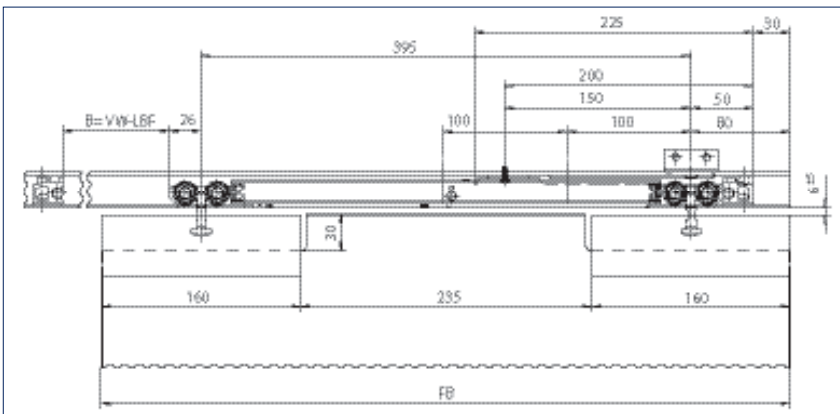
- VW = Range of movement
- LBF = Length, floor guide
- FB = Recommended leaf width 880 - 1270

For example, with wooden leaves, carrier plate lowered, 1-sided, short, damping in one direction:

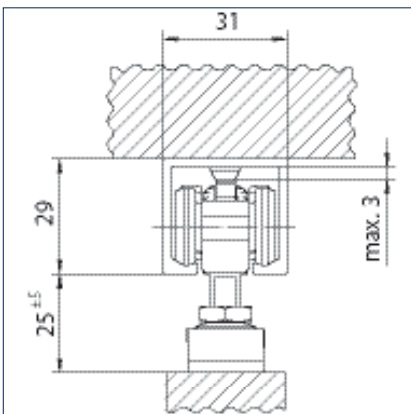


- VW = Range of movement
- LBF = Length, floor guide
- FB = Recommended leaf width see below
- kurz = 650 - 940 mm
- mittel = 940 - 1330 mm
- lang = 1330 - 1700 mm
- 1 = min. rebate for wooden leaf

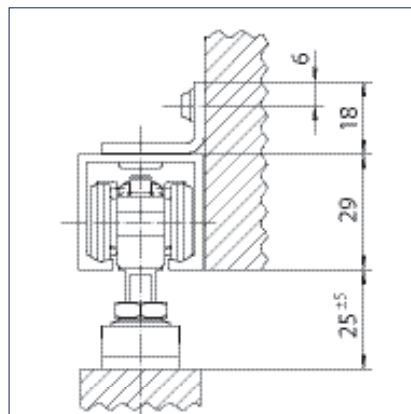
For example, with glass leaves (glass with edge recesses), 1-sided, short, damping in one direction:



- VW = Range of movement
- LBF = Length, floor guide
- FB = Recommended leaf width 550 - 880 mm



Ceiling installation



Wall installation

GEZE Rollan 40 N SoftStop - Order information

Description	Leaf width from - to	ID.No.
Rollan 40 N SoftStop set, long version, damped on both sides, up to 40 kg The set includes: 1 x roller carriage with damping unit on both sides, 2 x buffers, 2 x drivers with attachment screws, 2 x standard carrier plates	1270 mm 1700 mm	129903
Rollan 40 N SoftStop set, medium version, damped on both sides, up to 40 kg The set includes: 1 x roller carriage with damping unit on both sides, 2 x buffers, 2 x drivers with attachment screws, 2 x standard carrier plates	880 mm 1270 mm	129902
Rollan 40 N SoftStop set, short version, damped on one side, up to 40 kg The set includes: 1 x roller carriage with damping unit on one side, 2 x buffers, 1 x driver with attachment screw, 2 x standard carrier plates	555 mm 880 mm	129899
Rollan 40 N SoftStop set, long version, damped on one side, up to 40 kg The set includes: 1 x roller carriage with damping unit on one side, 2 x buffers, 1 x driver with attachment screw, 2 x standard carrier plates	1270 mm 1700 mm	129901
Rollan 40 N SoftStop set, medium version, damped on one side, up to 40 kg The set includes: 1 x roller carriage with damping unit on one side, 2 x buffers, 1 x driver with attachment screw, 2 x standard carrier plates	880 mm 1270 mm	129900

GEZE glass clamping plate 45 mm

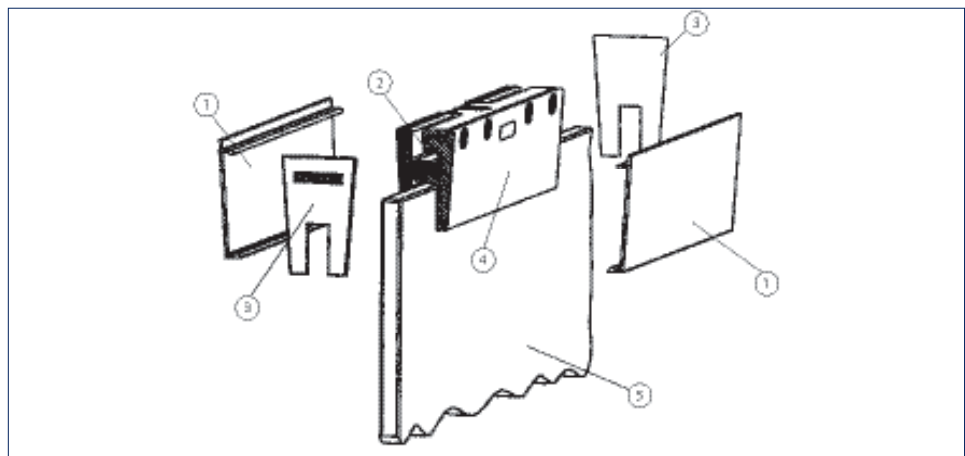
Inconspicuous and easy to install

The GEZE glass connection patch offers increased mounting convenience without the need for time-consuming glass work. The individual connection patches can be covered or both patches can be concealed with a continuous cover. By completely covering the carrier plates, the visual effect is that of a continuous connection patch, which is also available in all RAL colours. The gap between the connection patch and track is hardly visible and there is no need to fit a cover on site. The glass connection patch can be used for all standard glass thicknesses. The connection patch can be set to the respective glass thickness using the inside gearing. This facilitates installation and dismantling considerably.

GEZE glass clamping plate 45 mm



GEZE glass clamping plate 45 mm



- 1 = Cover profile
- 2 = Inside gearing
- 3 = End cover
- 4 = Glass connection patch
- 5 = Glass pane

Application range

- For all GEZE sliding door systems
- For ESG 8, 10, 12 mm and VSG up to 12.76 mm with additional VSG gluing kit (not including glass preparation)
- For leaf weights up to 140 kg (Rollan up to 80 kg)

Technical data

Product features	GEZE glass clamping plate 45 mm
Door material	Glass
Telescope	-
Automated	•
Fixed panel	•
Draw-in damping	•

• = YES
- = NOT AVAILABLE

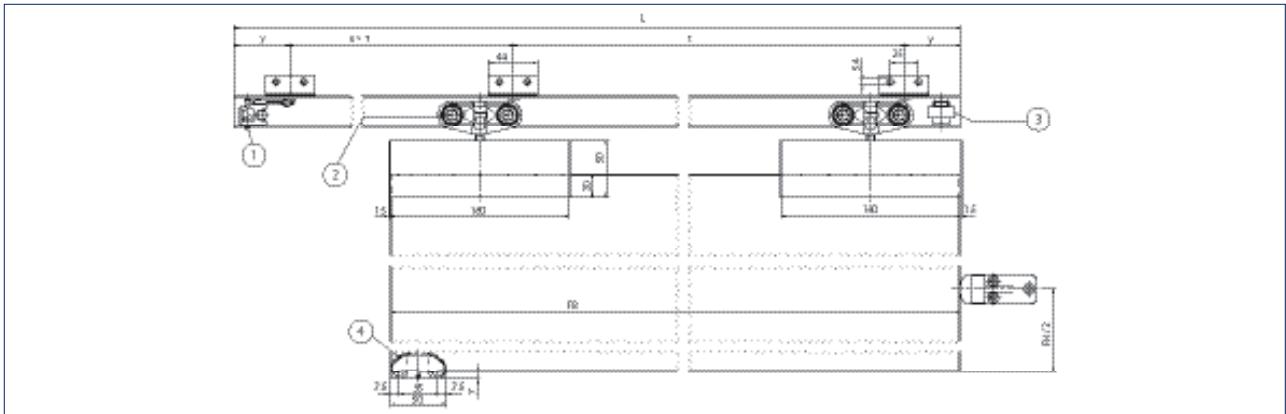
Standard installation of Rollan 40 N / 80 on glass leaves

Drawing No. 10417-ep04

Note

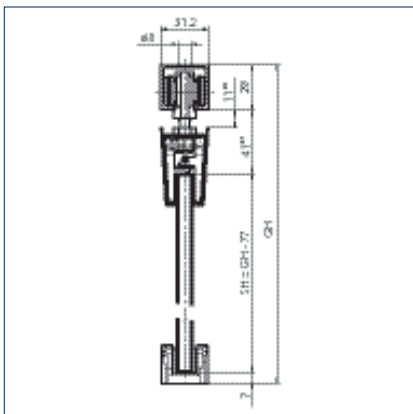
The wall recesses must be made accessible by a removable fascia. The door leaf must be stopped by a further angle buffer – in addition to the tube buffer. The buffer must be attached at the mid door height!

Mounting on a 1-leaf sliding door with glass leaf and glass connection patch:

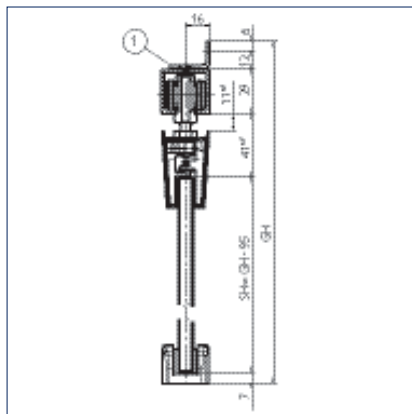


- 1 = Tube buffer adjustable with hold-open device in the running track
- 2 = Double roller carriage
- 3 = Tube buffer adjustable in the running track
- 4 = Infinitely variable glass floor guide
- L = Runner length
- y = Distance between the end of the running track to the centre of the first drilled hole
- n = Installation of individual wall brackets with wooden leaf
- t = Hole spacing
- FB = Leaf width
- FH = Leaf height

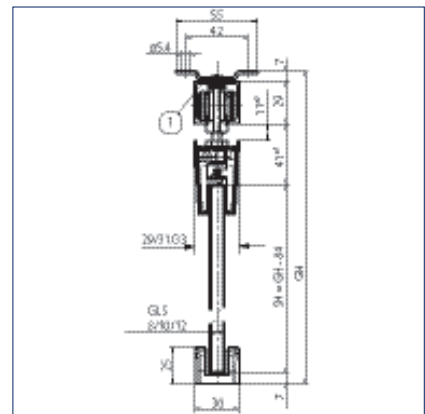
Can be fixed directly or with a plate on the ceiling or a bracket on the wall:



Direct ceiling mounting
SH = Pane height
GH = Total height



Wall mounting with angle bracket
1 = Wall installation
SH = Pane height
GH = Total height



Ceiling installation with plate
1 = Ceiling fixing plate
GLS = Glass thickness
SH = Pane height
GH = Total height



Floor guide with stainless steel finish



Adjustable glass floor guide EV1

GEZE glass clamping plate 45 mm - Order information

Description	Length	Version	ID.No.
Glass clamping plate 45 mm set, without cover Comprising 2 x glass clamping plates inc. suspension bolts, up to 140 kg leaf weight, for 8-12 mm ESG			125586
Glass clamping plate 45 mm set, individual cover Comprising 2 x glass clamping plates inc. suspension bolts, individual cover profiles and end covers, up to 140 kg leaf weight, for 8-12 mm ESG		EV1	125585
		stainless steel colour	134986
		acc. to RAL	126216
Glass clamping plate 45 mm set, continual cover Comprising 2 x glass clamping plates inc. suspension bolts, continuous custom made covering and end covers, EV1 or stainless steel colour, up to 140 kg leaf weight, for 8-12 mm ESG			125588
Accessories			
Cover profile glass clamping plate 45 mm For continuous covering, 1 profile	3000 mm	EV1	126107
	3000 mm	stainless steel colour	135034
Cover profile glass clamping plate 45 mm For 1 continuous covering, custom made		EV1	127628
		stainless steel colour	135033
		acc. to RAL	126108
Set of end pieces for glass clamping plate 45mm 2 x end pieces for mounting on the outside of the leaf for attachment of the continuous covering and side caps			133740
Set of end covers for glass clamping plate 45mm for 2 glass clamping plates		EV1	137359
		black	125582
		stainless steel colour	137360
		acc. to RAL	127498
Clamping insert glass clamping plate 45 mm and Levolan 150 for 2 glass clamping plates, for use with 12.7 mm (1/2 inch) ESG			133022
Set VSG threadlocker for use with VSG glass in connection with glass clamping plate 45mm and Levolan 150, for 2 clamping plates, WITHOUT adhesive			133099
Glass/metal bonding set 5x1 g			133056
Glass/metal bonding set 50 g			133039

GEZE glass clamping plate 30 mm

Inconspicuous and easy to install

The small glass clamping plate enables minimum installation height for maximum use options. Doors up to 80 kg are securely clamped without glass preparation or gluing. Thanks to an overall height of only 30 millimetres, the glass clamping plate is not visible when installed in a standard wall recess. Its length of only 110 mm enables diverse use for almost all door widths. It can be used in conjunction with the GEZE's manual sliding systems Rollan 40N/80 and Perlan SoftStop, and with Perlan AUT/Perlan AUT-NT. The glass clamping plate for Perlan AUT/Perlan AUT-NT fits concealed under the clip-on cover 100. The result is a complete system for automated glass doors. The simple installation using clamping plates makes all glass preparation work superfluous. All the usual types of glass can be covered (ESG 8,10,12 millimetres and VSG up to 12.76 millimetres with an additional VSG kit). Individual design options due to the possibility of covering each of the individual panels, or continuous covering across both panels.

GEZE glass clamping plate 30 mm



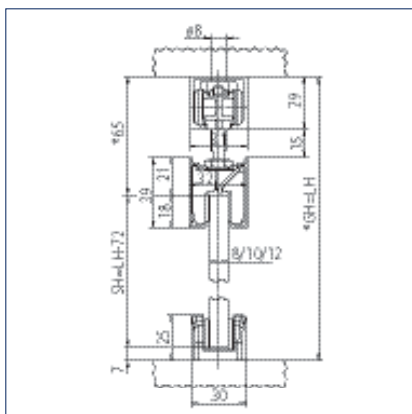
Application range

- For all GEZE sliding door systems
- For ESG 8, 10, 12 mm and VSG up to 12.76 mm with additional VSG gluing kit (not including glass preparation)
- For leaf weights up to 80 kg

Technical data

Product features	GEZE glass clamping plate 30 mm
Door material	Glass
Telescope	-
Automated	•
Fixed panel	•
Draw-in damping	•

- = YES
- = NOT AVAILABLE



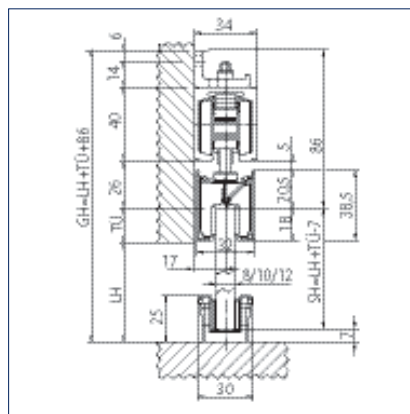
Ceiling installation without bracket

GH = Total height

LH = Clear height

SH = Pane height

* = optionally with suspension bolt



Ceiling installation with bracket

GH = Total height

LH = Clear height

SH = Pane height

TÜ = Door protrusion

* = optionally with suspension bolt

GEZE glass clamping plate 30 mm - Order information

Description	Length	Version	ID.No.
Glass clamping plate 30 mm set, continual cover Comprising 2 x glass clamping plates inc. suspension bolts, continual custom made cover and end covers, EV1 or stainless steel colour, up to 80 kg leaf weight, for 8-12 mm ESG			142368
Glass clamping plate 30 mm set, individual cover Comprising 2 x glass clamping plates inc. suspension bolts, individual cover profiles and end covers, up to 80kg leaf weight, for 8-12 mm ESG		EV1	142365
		stainless steel colour	142366
		acc. to RAL	142367
Glass clamping plate 30 mm set, without cover Comprising 2 x glass clamping plates inc. suspension bolts, up to 80 kg leaf weight, for 8-12 mm ESG			142364
Accessories			
Cover profile glass clamping plate 30 mm For individual covering of 2 glass clamping plates		EV1	144032
		stainless steel colour	144033
Cover profile glass clamping plate 30 mm For 1 continuous covering, custom made		EV1	141695
		stainless steel colour	141696
		acc. to RAL	141697
Cover profile glass clamping plate 30 mm For continuous covering, 2 profiles	3000 mm	EV1	142371
	3000 mm	stainless steel colour	142372
Set of end pieces for glass clamping plate 30 mm 2 pcs. end pieces for mounting on the outside of the leaf for attachment of the continual covering and side caps, necessary where the cover projects > 200 mm beyond the glass clamping plate			142373
Set of end covers for glass clamping plate 30 mm for 2 glass clamping plates		EV1	143346
		black	142369
		stainless steel colour	143347
		acc. to RAL	142370
Clamping insert, glass clamping plate 30 mm for 2 glass clamping plates, for use with 12.7 mm (1/2 inch) ESG			142634
Set VSG threadlocker 30 mm glass clamping plate for use with VSG glass in connection with glass clamping plate 30mm, for 2 clamping plates, WITHOUT adhesive			142386
Glass/metal bonding set 5x1 g			133056
Glass/metal bonding set 50 g			133039

Rollan, Perlän,
 Levolan, Aerolan,
 Geclan

Sliding door systems