

MOVEMENT AS IF BY MAGIC
INTEGRATED DOOR CLOSERS – GEZE BOXER RANGE



CONTENTS

Overview table for the GEZE Boxer range	4
GEZE Boxer Integrated door closer for single-leaf doors with a leaf width of up to 1400 mm	5
GEZE Boxer E Integrated door closer for single-leaf doors with a leaf width of up to 1400 mm, with electrical hold-open	10
GEZE Boxer EFS Integrated door closer for single-leaf doors with a leaf width of up to 1100 mm, with electrical freeswing function	15
GEZE Boxer ISM Integrated door closer system for double-leaf doors with a hinge clearance of up to 2800 mm featuring integrated closing sequence control	18
GEZE Boxer E-ISM Integrated door closer system for double-leaf doors with a hinge clearance of up to 2800 mm featuring integrated closing sequence control and electrical hold-open	26
GEZE Boxer ISM-EFS Integrated door closer system for double-leaf doors with a hinge clearance of up to 2200 mm featuring integrated closing sequence control and electrical freeswing function on the moving leaf	34
GEZE Boxer P Integrated door closer for single-leaf double-action doors with a leaf width of up to 1100 mm	40
GEZE smoke switch control unit RSZ6	44

Overview table for the GEZE Boxer range

	For single-leaf doors						For double-leaf doors		
	Boxer Gr. 2-4 / 2-4 2V	Boxer Gr. 3-6	Boxer E Gr. 2-4	Boxer E Gr. 3-6	Boxer EFS	Boxer P	Boxer ISM	Boxer E-ISM	Boxer ISM-EFS
Approval for smoke and fire doors ¹⁾	•	•	•	•	•	•	•	•	•
Barrier-free in accordance with DIN 18040 up to leaf width (max.) in mm	EN4 1100	EN4 1100	FSA	FSA	FSA FL	EN4 1100	EN4 1100	FSA	FSA FL
Closing force acc. to EN 1154	2-4	3-6	2-4	3-6	4	2-4	2-4/3-6	2-4/3-6	4/2-4
Door leaf width (max.) in mm	1100	1400	1100	1400	1100	1100	1100/1400	1100/1400	1100/1100
Leaf weight (max.) in kg	130	180	130	180	130	80	130/180	130/180	130
Application possibilities									
Closer body integrated in the door leaf	•	•	•	•	•	•	•	•	•
Guide rail integrated in the door frame	•	•	•	•	•	•	•	•	•
Opening angle (max.)	120°	120°	120°	120°	120°	120°	120°	120°	120°
Functions									
Closing force, adjustable	•	•	•	•		•	•	•	• ³⁾
Back check, adjustable	•	•	•	•	•	•	•	•	•
End stop, adjustable	•	•	•	•	•	•	•	•	•
Closing speed, adjustable	•	•	•	•	•	•	•	•	•
Mechanical hold-open ²⁾	•	•				•	•		
Electric hold-open			•	•				•	
Electric hold-open for freeswing					•				•
Mechanical closing sequence control, integrated							•	•	•

• = yes

¹⁾ For smoke and fire doors an additional suitability certificate is required for the door.

²⁾ Can be retrofitted, not to smoke and fire doors

³⁾ Closing force can only be adjusted on the fixed leaf

FSA = Hold-open system

FSA FL = Freeswing hold-open system

GEZE Boxer

Integrated door closer for single-leaf doors with a leaf width of up to 1400 mm

The GEZE Boxer integrated door closer for single-leaf doors is incorporated discreetly into the door leaf and frame. The guide rail and lever are only visible when the door is open. Once the door is installed, the closing force and speed, latching action and hydraulic back check can be conveniently adjusted from the top. The door closer can be used for right and left single-action doors without any need for conversion.

An additional door suitability certificate is required for fireproof doors. The door must be limited at an opening angle of about 120°.

Optional:

Mechanical hold-open

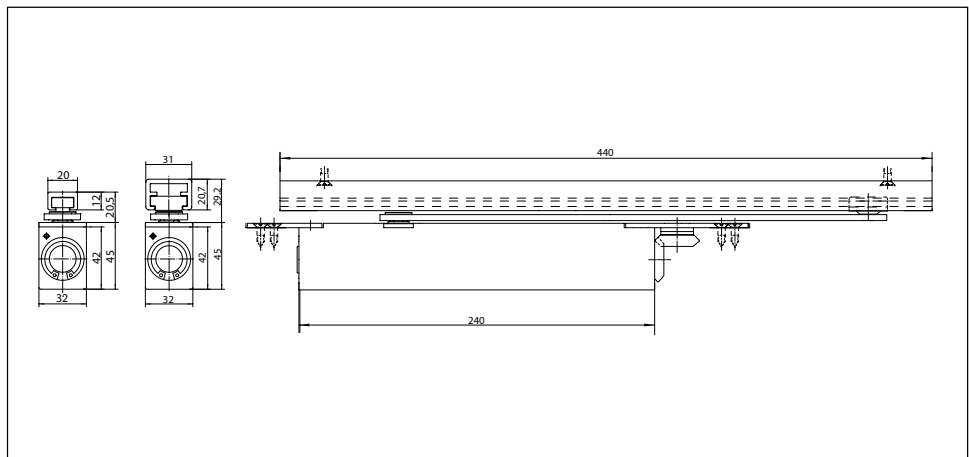
The hold-open angle can be set anywhere between about 80° and 120°, the hold-open retention force is adjustable.

Please note: Not permitted for use on fireproof doors.

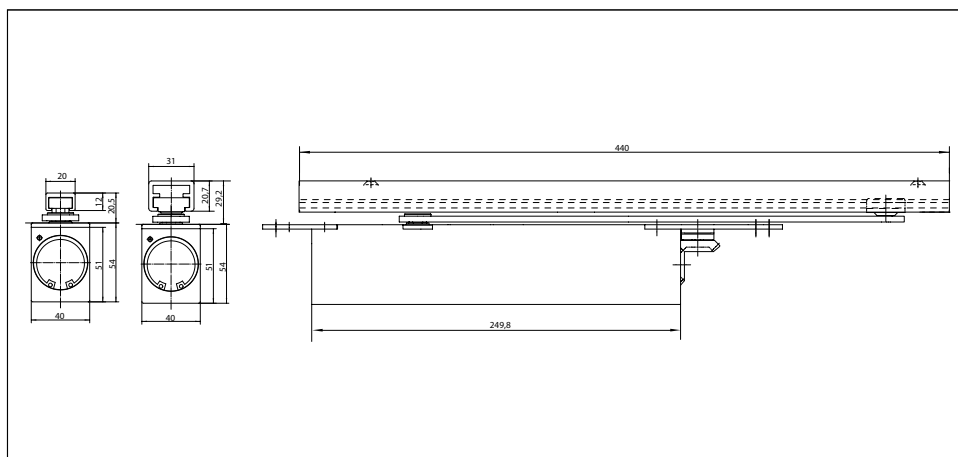
GEZE Boxer



GEZE Boxer



Size 2-4



Size 3-6

Application range

- Compatible with left-hand and right-hand doors without the need for conversion
- Closer size 2-4 for interior doors up to a leaf width of 1100 mm and a leaf weight of 130 kg
- Closer size 2-4 2V with independent end stop valve. This makes it possible to increase and reduce the latching action speed (brake-to-stop function).
- Closer size 3-6 for interior and exterior doors up to a leaf width of 1400 mm and a leaf weight of 180 kg
- Door leaf thickness from 40 mm for size 2-4, from 50 mm for size 3-6
- For fireproof doors with appropriate suitability certificate

Technical specifications: Closer

Product features	GEZE Boxer 2-4 closer	GEZE Boxer 2-4 2V closer	GEZE Boxer 3-6 closer
Closing force in accordance with EN 1154	2 - 4	2 - 4	3 - 6
Leaf width recommended up to	1100 mm	1100 mm	1400 mm
Leaf weight recommended up to	130 kg	130 kg	180 kg
Minimum leaf thickness	40 mm	40 mm	50 mm
Identical version DIN-L and DIN-R	•	•	•
Product tested in acc. with	Door closer tested in acc. with EN 1154		
Length	286 mm	286 mm	293 mm
Installation depth	32 mm	32 mm	40 mm
Height	45 mm	45 mm	54 mm

Functions

Adjustable closing force	Yes, infinitely variable		
Adjustable closing speed	•	•	•
Adjustable latching action	Yes, via valve		
Integrated back check	Yes, hydraulically adjustable		
Closing force adjustment position	Top		
Safety valve to protect against vandalism	•	•	•
Valve control for regulating the latching action speed		•	

Technical specifications: Guide rail

Product features	Boxer guide rail 12 mm	Boxer guide rail 20,7 mm
For use on single-action/double-action doors	Single-action door	
Length	440 mm	
Installation depth	20 mm	31 mm
Height	12 mm	20,7 mm

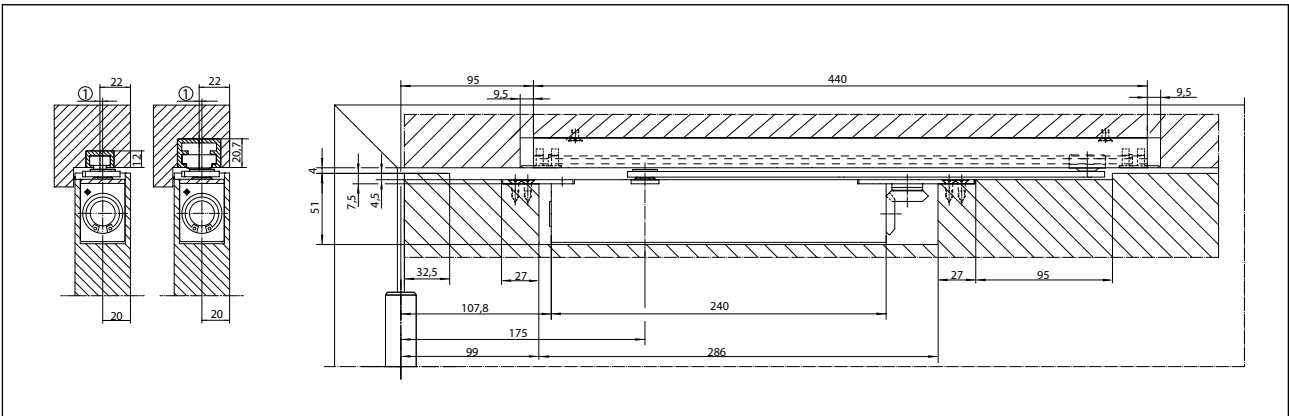
Functions

Integrated opening restrictor	○	○
Integrated hold-open mechanism	○	○

- = Optional
- = Standard

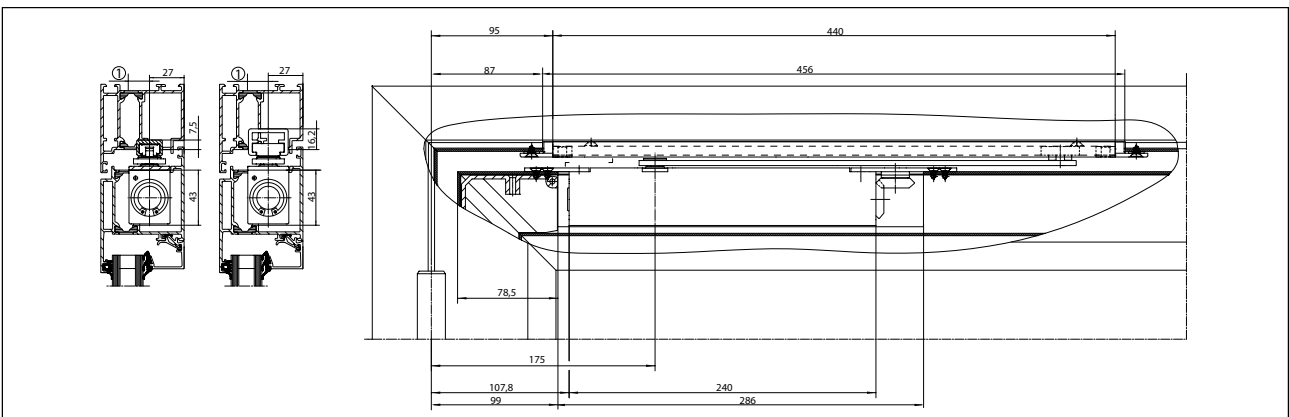
Installation drawings

Boxer size 2-4



Installation on wooden door

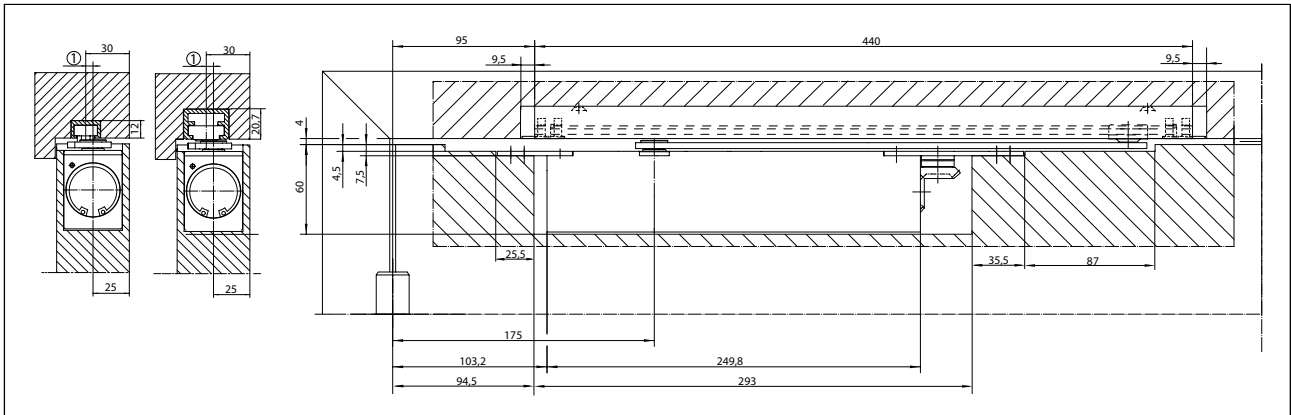
(1) = Guide rail offset: max. 10 mm



Installation on metal door

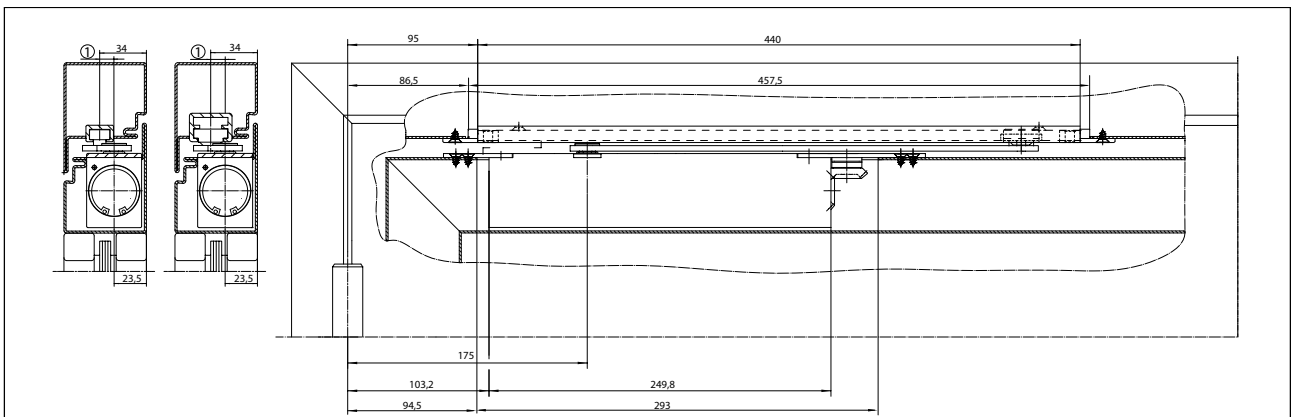
(1) = Guide rail offset: max. 10 mm

Boxer size 3-6



Installation on wooden door

(1) = Guide rail offset: max. 10 mm



Installation on metal door

(1) = Guide rail offset: max. 10 mm

GEZE Boxer – Ordering information

Description	Version	ID no.
GEZE Boxer 2-4 closer Size EN 2-4 with back check (without guide rail)	0 mm	099728
	Spindle extension 4 mm	101759
	8 mm	101760
GEZE Boxer 2-4 2V closer Size EN 2-4 with back check and independent end stop valve (end brake also possible, without guide rail)	0 mm	134448
	Spindle extension 4 mm	134493
	8 mm	134494
GEZE Boxer 3-6 closer Size EN 3-6 with back check (without guide rail)	0 mm	099735
	Spindle extension 4 mm	101761
	8 mm	101762
Boxer guide rail, 12 mm with lever, installation height: 12 mm	silver	129213
	acc. to RAL ¹⁾	135732
Boxer guide rail, 20,7 mm with lever, installation height: 20,7 mm	silver	112161
Boxer guide rail, 20.7 mm with lever and mechanical hold-open, installation height: 20.7 mm	silver	095141
	acc. to RAL ¹⁾	135689
Accessories		
Mechanical hold-open unit for Standard / T-STOP / Boxer 20.7 mm guide rail, adjustable retention force, can be activated/deactivated and overridden		071924
Mechanical hold-open unit for Boxer 12 mm guide rail, adjustable retention force, cannot be overridden		129145
Flexible opening restrictor for lightweight doors for riveted, Standard BG and Boxer 20.7 mm guide rails		069780
Flexible opening restrictor for lightweight doors for Boxer 12 mm guide rail		129343

¹⁾ Surcharge for special RAL colours, see general information



VitraHaus, Weil am Rhein, Germany (Photo: Oliver Look)

GEZE Boxer E

Integrated door closer for single-leaf doors with a leaf width of up to 1400 mm, with electrical hold-open

The GEZE Boxer integrated door closer with electrical hold-open in the guide rail is suitable for single-leaf doors and is incorporated discreetly into the door leaf and frame. The E guide rail with electrical hold-open is tested to EN 1155 and only visible when the door is open. The retention force of the hold-open mechanism is infinitely adjustable; the hold-open point can be set anywhere between about 80° and about 120°. The hold-open point can be overridden, i.e. the door can be opened wider if needed.

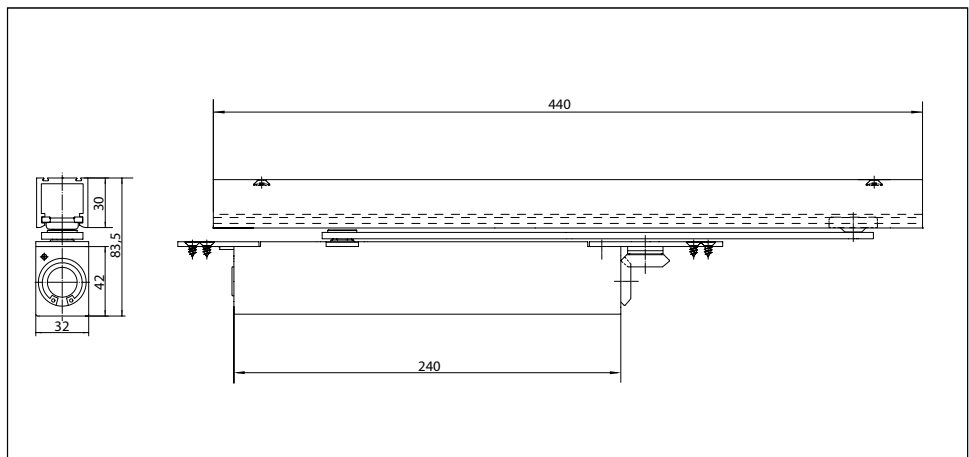
Once the door is installed, the closing force and speed, latching action and hydraulic back check can be conveniently adjusted from the top. The door closer can be used for right and left single-action doors without any need for conversion.

An additional door suitability certificate is required for fireproof doors. The Boxer E is building code approved with the GEZE smoke switch control units RSZ6 and RSZ5. The door must be limited at an opening angle of about 120°.

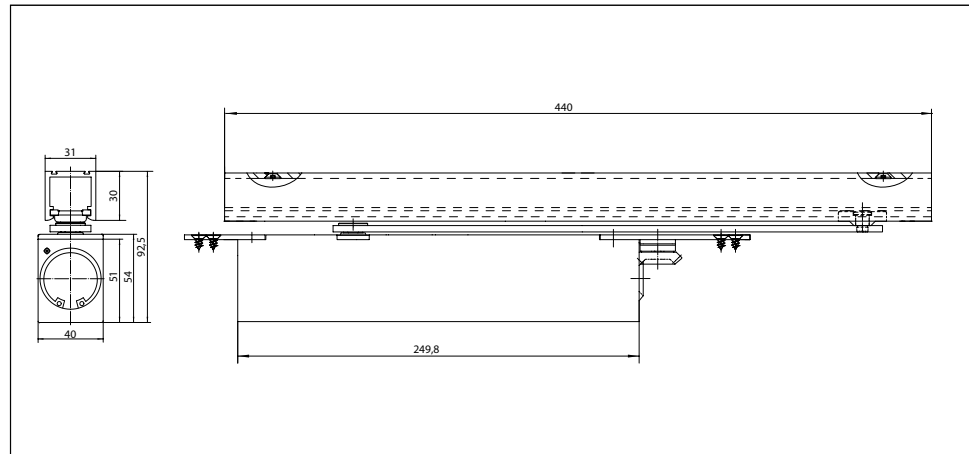
GEZE Boxer E



GEZE Boxer E



Size 2-4



Size 3-6

Application range

- Compatible with left-hand and right-hand doors without the need for conversion
- Closer size 2-4 for interior doors up to a leaf width of 1100 mm and a leaf weight of 130 kg
- Closer size 2-4 2V with independent end stop valve. This makes it possible to increase and reduce the latching action speed (brake-to-stop function).
- Closer size 3-6 for interior and exterior doors up to a leaf width of 1400 mm and a leaf weight of 180 kg
- Door leaf thickness from 40 mm for size 2-4, from 50 mm for size 3-6
- For fireproof doors with appropriate suitability certificate

Technical specifications: Closer

Product features	GEZE Boxer 2-4 closer	GEZE Boxer 2-4 2V closer	GEZE Boxer 3-6 closer
Closing force in accordance with EN 1154	2 - 4	2 - 4	3 - 6
Leaf width recommended up to	1100 mm	1100 mm	1400 mm
Leaf weight recommended up to	130 kg	130 kg	180 kg
Minimum leaf thickness	40 mm	40 mm	50 mm
Identical version DIN-L and DIN-R	•	•	•
Product tested in acc. with	Door closer tested in acc. with EN 1154		
Length	286 mm	286 mm	293 mm
Installation depth	32 mm	32 mm	40 mm
Height	45 mm	45 mm	54 mm

Functions

Adjustable closing force	Yes, infinitely variable		
Adjustable closing speed	•	•	•
Adjustable latching action	Yes, via valve		
Integrated back check	Yes, hydraulically adjustable		
Closing force adjustment position	Top		
Safety valve to protect against vandalism	•	•	•
Valve control for regulating the latching action speed		•	

○ = Optional

● = Standard

Technical specifications: Guide rail

Product features	Boxer E guide rail
For use on single-action/double-action doors	Single-action door
Supply voltage	24V DC
Enclosure rating	IP 43
Product tested in acc. with	Hold-open mechanism tested in acc. with EN 1155
Length	440 mm
Installation depth	31 mm
Height	30 mm
Functions	
Integrated hold-open mechanism	Electrical
Hold-open mechanism, can be activated or deactivated	●
Hold-open mechanism can be overridden	●

○ = Optional

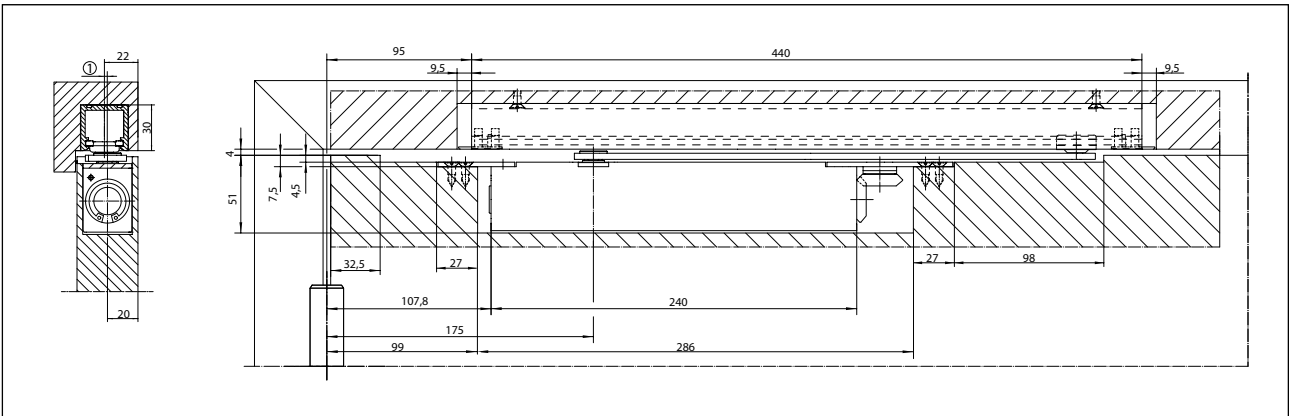
● = Standard



VitraHaus, Weil am Rhein, Germany (Photo: Oliver Look)

Installation drawings

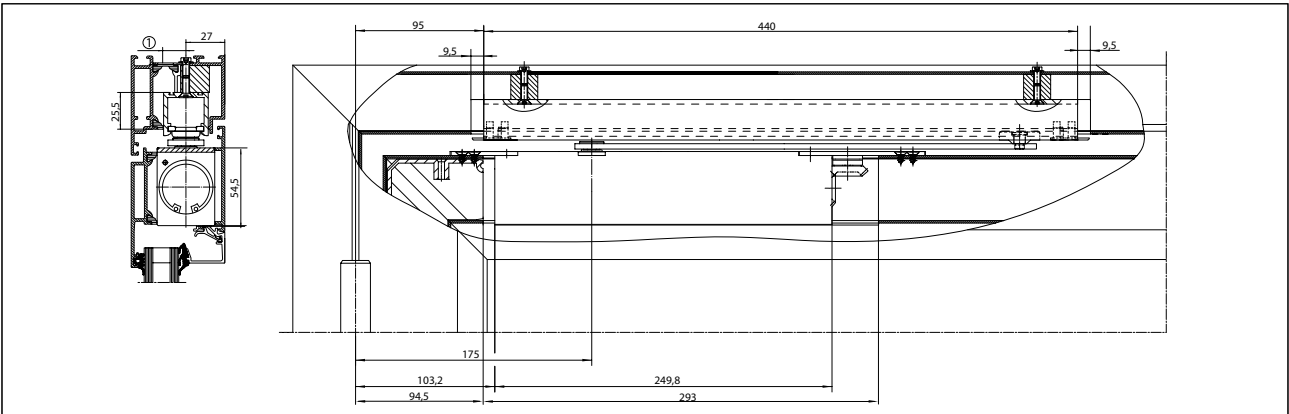
Boxer E size 2-4



Installation on wooden door

(1) = Guide rail offset: max. 10 mm

Boxer E size 3-6



Installation on metal door

(1) = Guide rail offset: max. 10 mm

GEZE Boxer E – Ordering information

Description	Version	ID no.
GEZE Boxer 2-4 closer Size EN 2-4 with back check (without guide rail)	0 mm	099728
	Spindle extension 4 mm	101759
	8 mm	101760
GEZE Boxer 2-4 2V closer Size EN 2-4 with back check and independent end stop valve (end brake also possible, without guide rail)	0 mm	134448
	Spindle extension 4 mm	134493
	8 mm	134494
GEZE Boxer 3-6 closer Size EN 3-6 with back check (without guide rail)	0 mm	099735
	Spindle extension 4 mm	101761
	8 mm	101762
Boxer E guide rail with lever and electrical hold-open	silver	119640
	acc. to RAL ²⁾	135775
Accessories		
GEZE smoke switch control unit RSZ6 Smoke switch and energy supply for all GEZE hold-open mechanisms	silver	099851
	dark bronze	099857
	white RAL 9016	099858
	Stainless steel effect ¹⁾	099856
GEZE smoke detector GC 152 Complete with base, 24 V DC, 20 mA, tested to EN54-7, with general approval for use with all GEZE hold-open systems, integrated line control, conform with DIN EN 14637	acc. to RAL ²⁾	099859
	white	139850
GEZE thermal detector GC 153 Complete with base, 24 V DC, 20mA, tested to EN54-5, with general approval for use with all GEZE hold-open systems, integrated line control, conform with DIN EN 14637	white	139881
	Alpine white	116266
GEZE circuit breaker Concealed version, for manual release of electrical hold-open mechanisms		120503
Single surface-mounted socket matches the AS500 switch range		120880
GEZE circuit breaker with glass pane and 5 interchangeable labels Concealed version, for manual release of electrical hold-open mechanisms	Alpine white	010994
Replacement glass pane for GEZE circuit breaker 120880		

1) Only suitable for dry rooms

2) Surcharge for special RAL colours, see general information



Gerechtsbouw, Gent, Netherlands (Photo: Erwin Kamphuis)

GEZE Boxer EFS

Integrated door closer for single-leaf doors with a leaf width of up to 1100 mm, with electrical freeswing function

The freeswing function offered by the Boxer EFS EN4 integrated door closer enables barrier-free passage through single-leaf doors. The door closer is fully incorporated into the leaf and frame. The guide rail and lever are therefore not visible when the door is closed. The freeswing function allows doors to be used with minimum resistance in the direction of opening or closing – e.g. in homes for the elderly or hospitals –after the door has been opened once (such as in the morning). The door closer can be used for right and left single-action doors without any need for conversion. Once installed, the closing speed, latching action and mechanical back check in the guide rail can be adjusted.

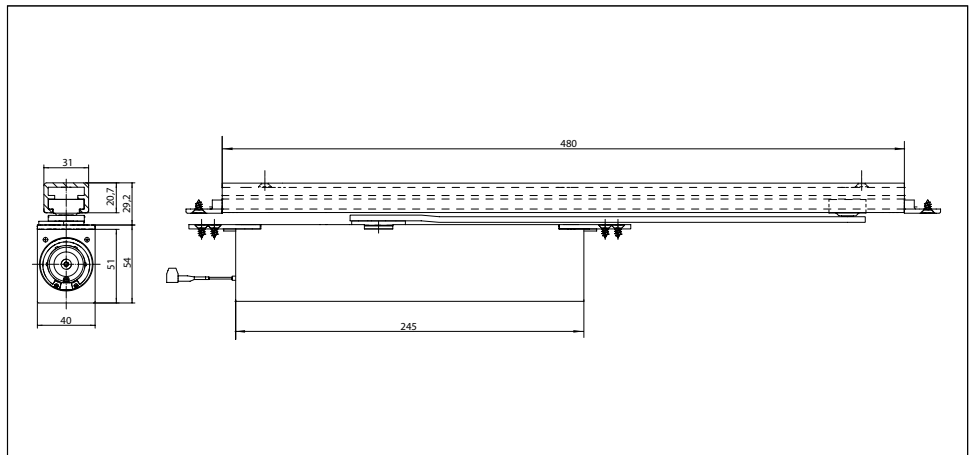
An additional door suitability certificate is required for fireproof doors. The closer is tested to EN 1155 and is building code approved with the GEZE smoke switch control units RSZ6 and RSZ5. The door must be limited at an opening angle of about 120°.

Please note: The guideline for hold-open mechanisms issued by the DIBt stipulates the mandatory use of a circuit break on door closers with freeswing function.

GEZE Boxer EFS



GEZE Boxer EFS



Application range

- Compatible with left-hand and right-hand doors without the need for conversion
- Closer size 4 for doors up to a leaf width of 1100 mm and a leaf weight of 130 kg
- Leaf thickness min. 50 mm
- For fireproof doors with appropriate suitability certificate

GEZE BOXER

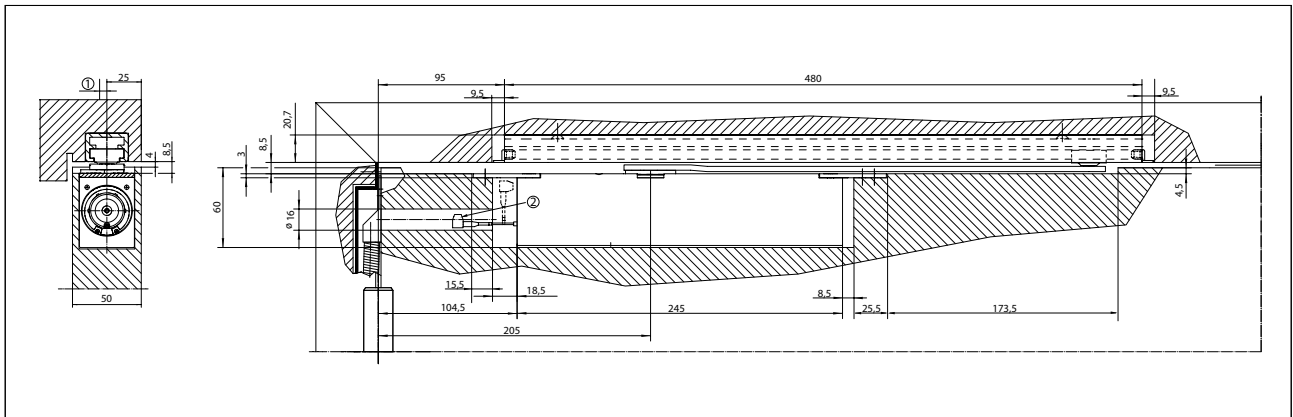
Technical specifications: Closer

Product features	GEZE Boxer EFS complete package
Closing force in accordance with EN 1154	4
Leaf width recommended up to	1100 mm
Leaf weight recommended up to	130 kg
Minimum leaf thickness	50
Identical version DIN-L and DIN-R	•
Supply voltage	24V DC
Enclosure rating	IP 43
Product tested in acc. with	Door closer tested in acc. with EN 1154 Hold-open mechanism tested in acc. with EN 1155
Length	245 mm
Installation depth	40 mm
Height	54 mm
Functions	
Adjustable closing force	No
Adjustable closing speed	•
Adjustable latching action	Yes, via valve
Integrated back check	Yes, mechanically in the guide rail
Safety valve to protect against vandalism	•
Integrated hold-open mechanism	electrical / for freeswing function

- = Optional
- = Standard

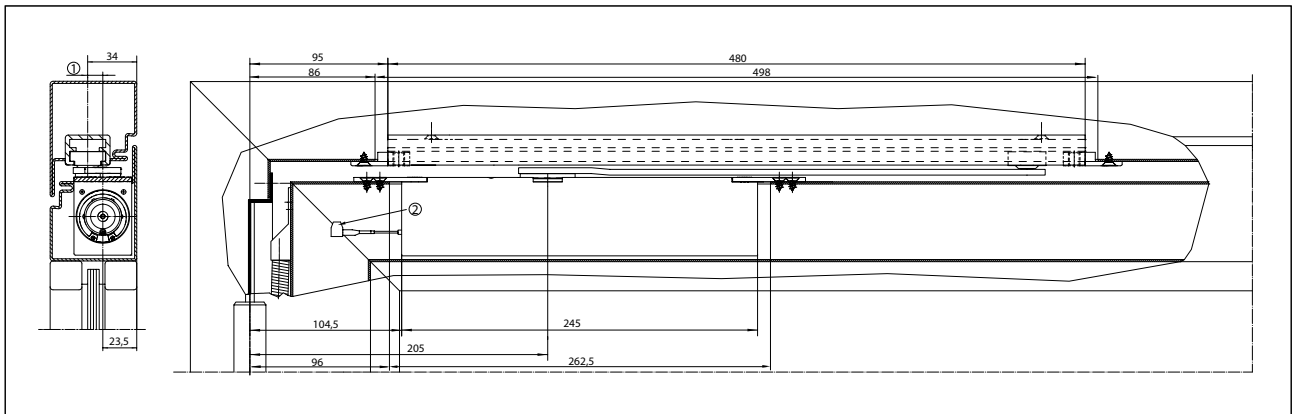
Installation drawings

Boxer EFS



Installation on wooden door

- (1) = Guide rail offset: max. 10 mm
- (2) = 24V DC terminal



Installation on metal door

- (1) = Guide rail offset: max. 10 mm
- (2) = 24V DC terminal

GEZE Boxer EFS – Ordering information

Description	Version	ID no.
GEZE Boxer EFS complete package Size EN4, with back check and freeswing guide rail	Spindle extension 0 mm	108881
Spindle extension Boxer EFS	4 mm	108882
	8 mm	108883
Accessories		
GEZE smoke switch control unit RSZ6 Smoke switch and energy supply for all GEZE hold-open mechanisms	silver	099851
	dark bronze	099857
	white RAL 9016	099858
	Stainless steel effect ¹⁾	099856
GEZE smoke detector GC 152 Complete with base, 24 V DC, 20 mA, tested to EN54-7, with general approval for use with all GEZE hold-open systems, integrated line control, conform with DIN EN 14637	acc. to RAL ²⁾	099859
	white	139850
GEZE thermal detector GC 153 Complete with base, 24 V DC, 20mA, tested to EN54-5, with general approval for use with all GEZE hold-open systems, integrated line control, conform with DIN EN 14637	white	139881
	Alpine white	116266
GEZE circuit breaker Concealed version, for manual release of electrical hold-open mechanisms		120503
Single surface-mounted socket matches the AS500 switch range		120503
GEZE circuit breaker with glass pane and 5 interchangeable labels Concealed version, for manual release of electrical hold-open mechanisms	Alpine white	120880
Replacement glass pane for GEZE circuit breaker 120880		010994

1) Only suitable for dry rooms

2) Surcharge for special RAL colours, see general information

GEZE Boxer ISM

Integrated door closer system for double-leaf doors with a hinge clearance of up to 2800 mm featuring integrated closing sequence control

The GEZE Boxer ISM system for double-leaf doors consists of the Boxer 2-4 or Boxer 3-6 in the door leaves and the ISM guide rail with integrated mechanical closing sequence control in accordance with EN 1158 in the frame. The ISM guide rail is only visible when the door is open. On double-leaf doors it ensures that the moving leaf always closes after the fixed leaf. Once installed, the infinitely adjustable closing force, closing speed, latching action and hydraulic back check can be adjusted on the door closers. The system can be used on DIN left and right moving leaves without the need for conversion. In addition, the closing sequence control on the ISM guide rail is extremely resistant to vandalism, i.e. the system will not suffer damage even if the moving leaf is consciously pushed closed from the waiting position.

An additional door suitability certificate is required for fireproof doors. The door must be limited at an opening angle of about 120°.

Optional:

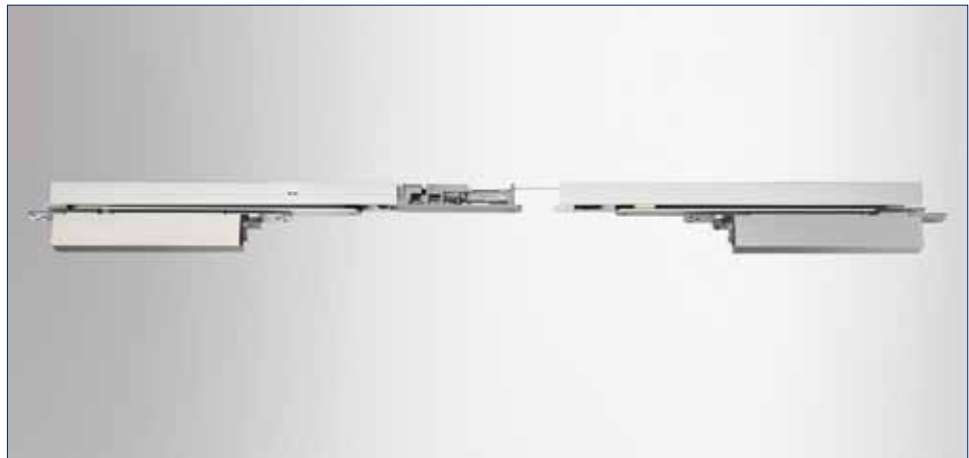
Mechanical hold-open unit, can be retrofitted on both door leaves, adjustable hold-open retention force, the hold-open point can be overridden, i.e. the door can be opened wider if needed.

Please note: Not permitted for use on fireproof and smokeproof doors.

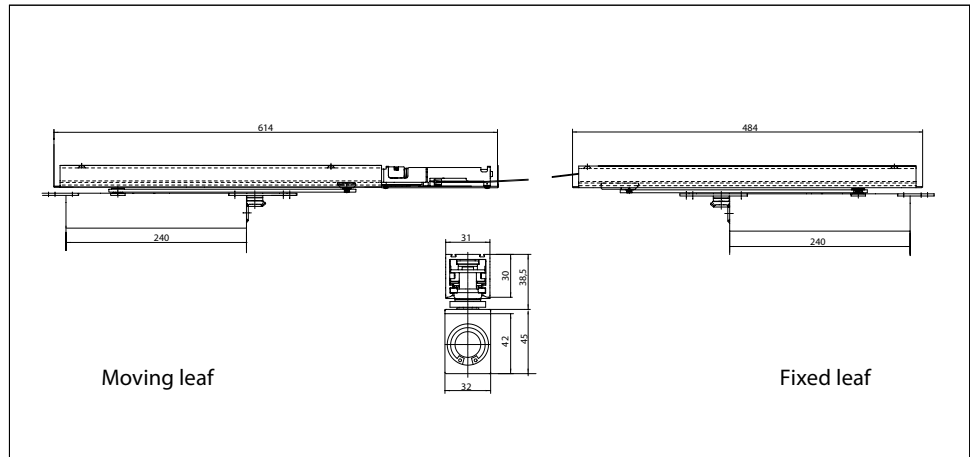
Special versions

- For doors with narrow hinge clearance, from 1130 mm (opening angle max. 100°)
- For doors with small fixed leaf, from 420 mm (opening angle of fixed leaf max. 100°)

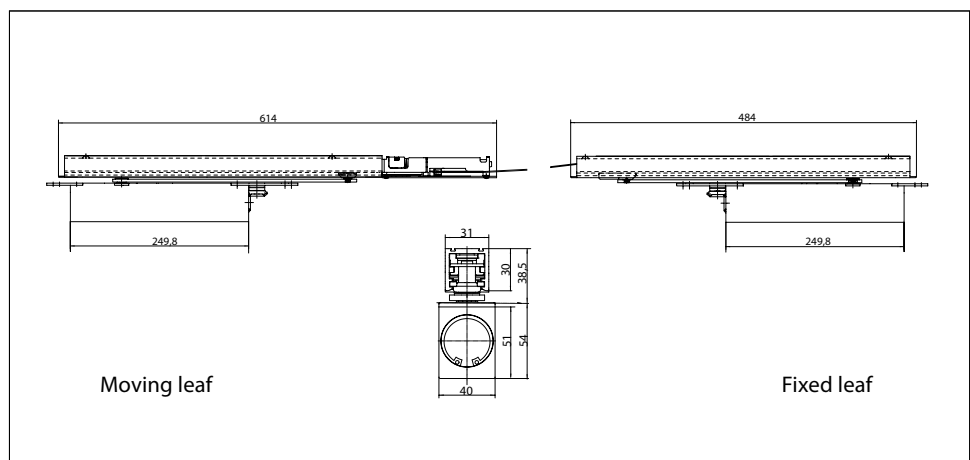
GEZE Boxer ISM



GEZE Boxer ISM

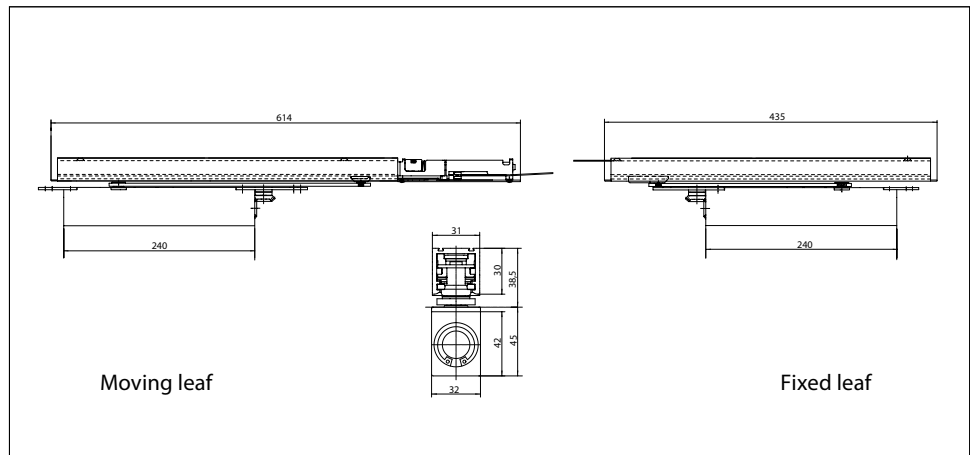


Size 2-4

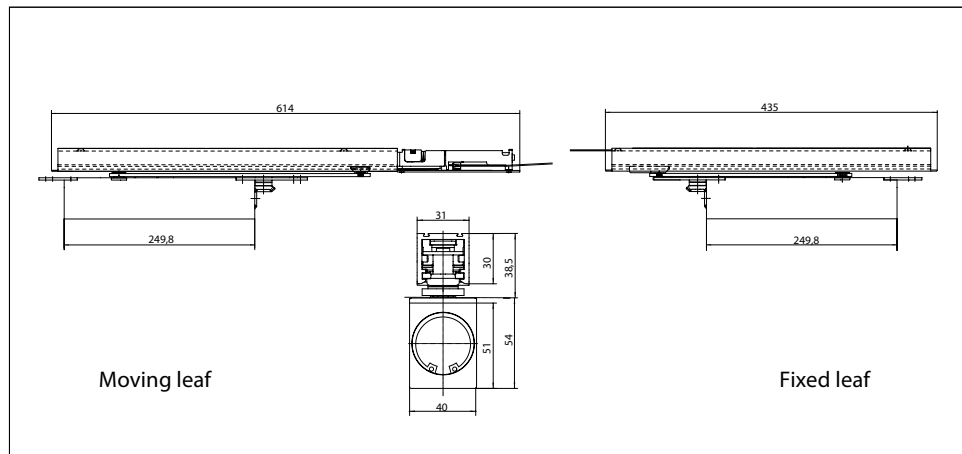


Size 3-6

**GEZE Boxer ISM
 for small fixed leaf**

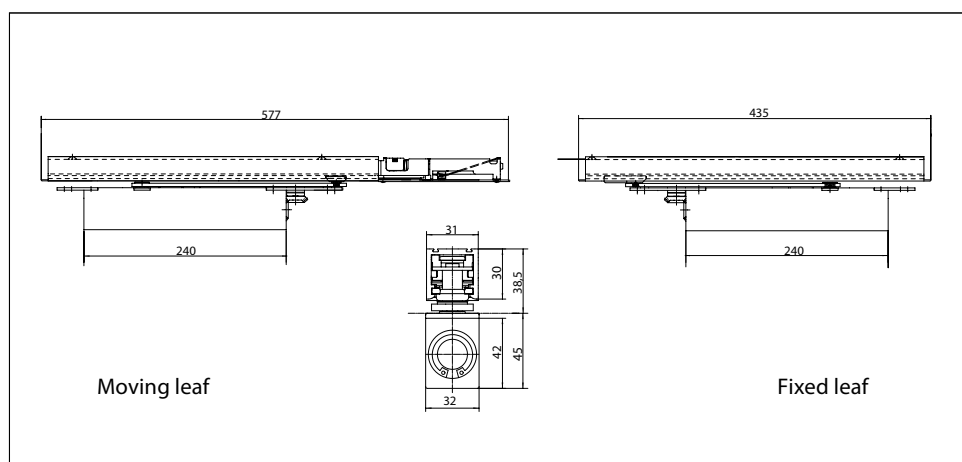


Size 2-4

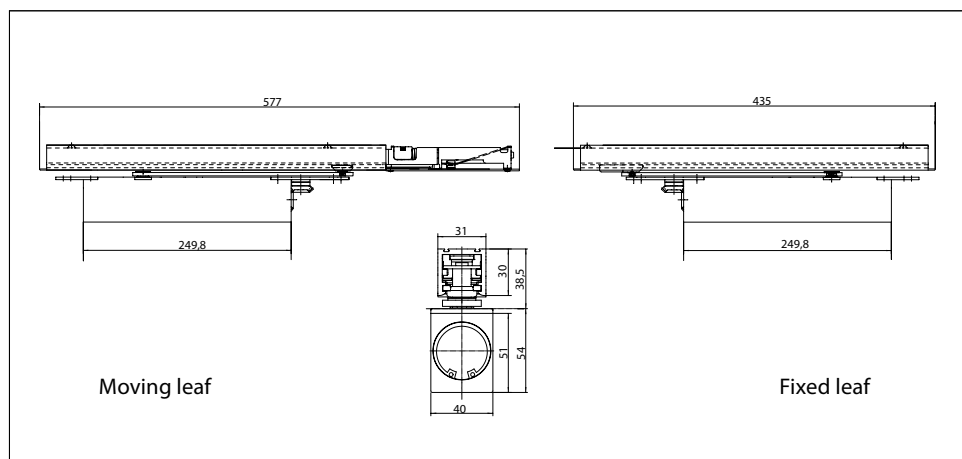


Size 3-6

GEZE Boxer ISM for small hinge clearance



Size 2-4



Size 3-6

Application range

- For double-leaf doors, leaf width of up to 1400 mm
- Min. hinge clearance = 1130 mm (version for small hinge clearance), max. hinge clearance = 2800 mm
- Min. width of fixed leaf 420 mm (version for small fixed leaf)
- Closer size 2-4 for interior doors up to a leaf width of 1100 mm and a leaf weight of 130 kg
- Closer size 2-4 2V with independent end stop valve. This makes it possible to increase and reduce the latching action speed (brake-to-stop function).
- Closer size 3-6 for interior and exterior doors up to a leaf width of 1400 mm and a leaf weight of 180 kg
- Door leaf thickness from 40 mm for size 2-4, from 50 mm for size 3-6
- For fireproof doors with appropriate suitability certificate

Technical specifications: Closer

Product features	GEZE Boxer 2-4 closer	GEZE Boxer 2-4 2V closer	GEZE Boxer 3-6 closer
Closing force in accordance with EN 1154	2 - 4	2 - 4	3 - 6
Leaf width recommended up to	1100 mm	1100 mm	1400 mm
Leaf weight recommended up to	130 kg	130 kg	180 kg
Minimum leaf thickness	40 mm	40 mm	50 mm
Identical version DIN-L and DIN-R	●	●	●
Product tested in acc. with	Door closer tested in acc. with EN 1154		
Length	286 mm	286 mm	293 mm
Installation depth	32 mm	32 mm	40 mm
Height	45 mm	45 mm	54 mm

Functions

Adjustable closing force	Yes, infinitely variable		
Adjustable closing speed	●	●	●
Adjustable latching action	Yes, via valve		
Integrated back check	Yes, hydraulically adjustable		
Closing force adjustment position	Top		
Safety valve to protect against vandalism	●	●	●
Valve control for regulating the latching action speed		●	

Technical specifications: Guide rail

Product features	Boxer ISM guide rail	Boxer ISM guide rail, version for small hinge clearance	Boxer ISM guide rail, version for small fixed leaf
Minimum hinge clearance	1300 mm	1130 mm	1230 mm
Minimum width of fixed leaf	540 mm	420 mm	420 mm
Product tested in acc. with	Closing sequence controller tested in acc. with EN 1158		
Installation depth	31 mm		
Height	30 mm		

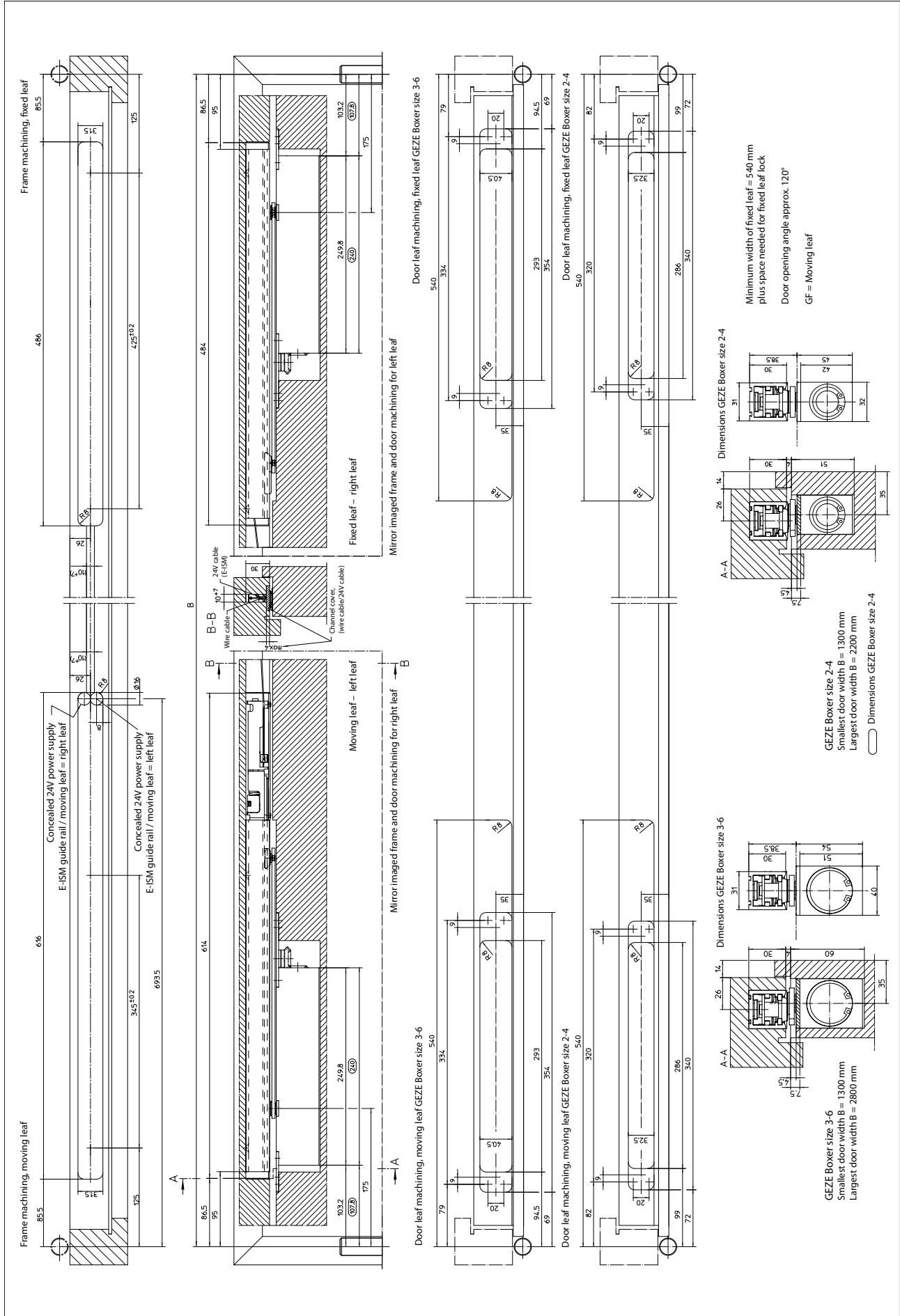
Functions

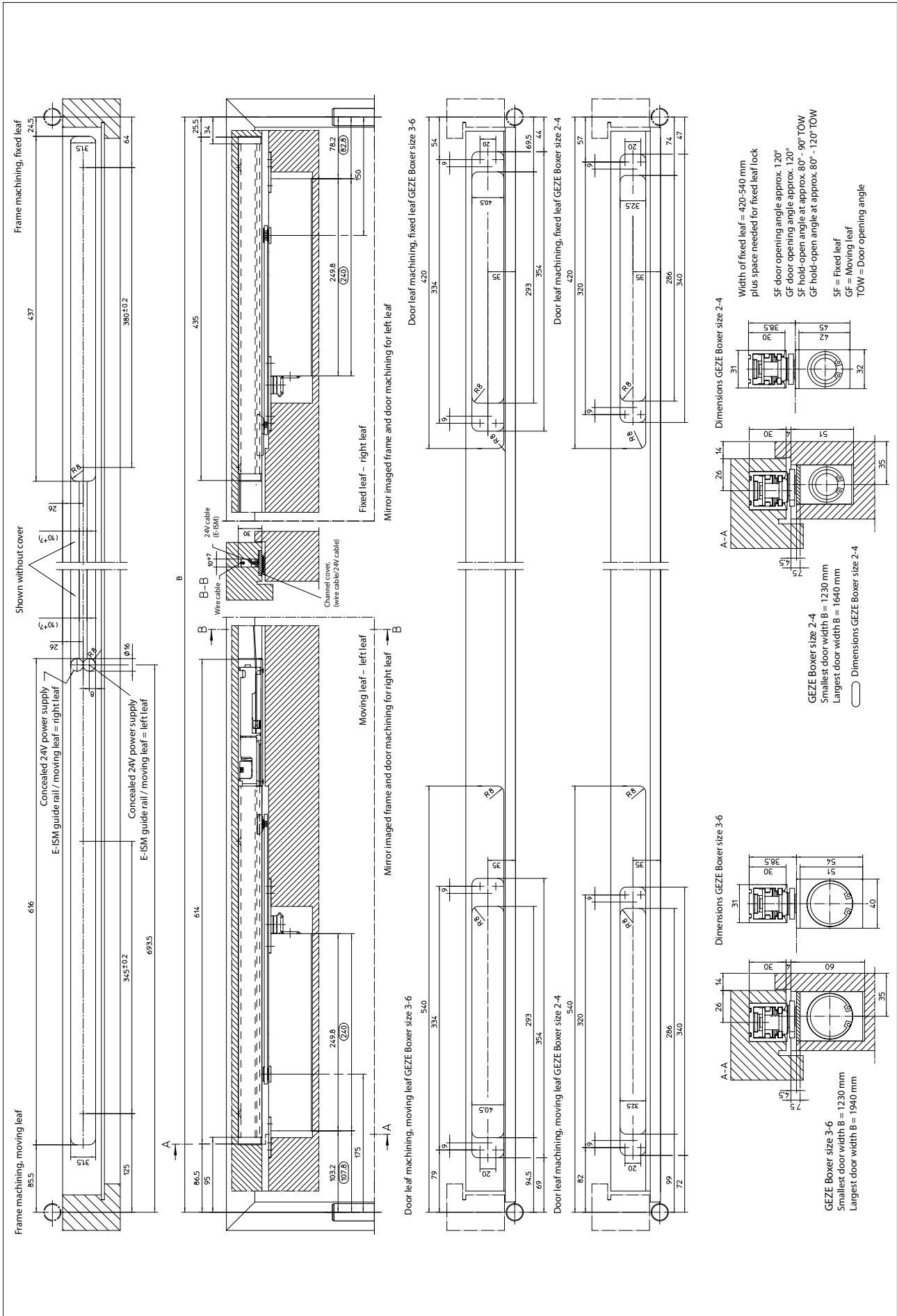
Integrated closing sequence control	●	●	●
Integrated hold-open mechanism	○	○	○

○ = Optional

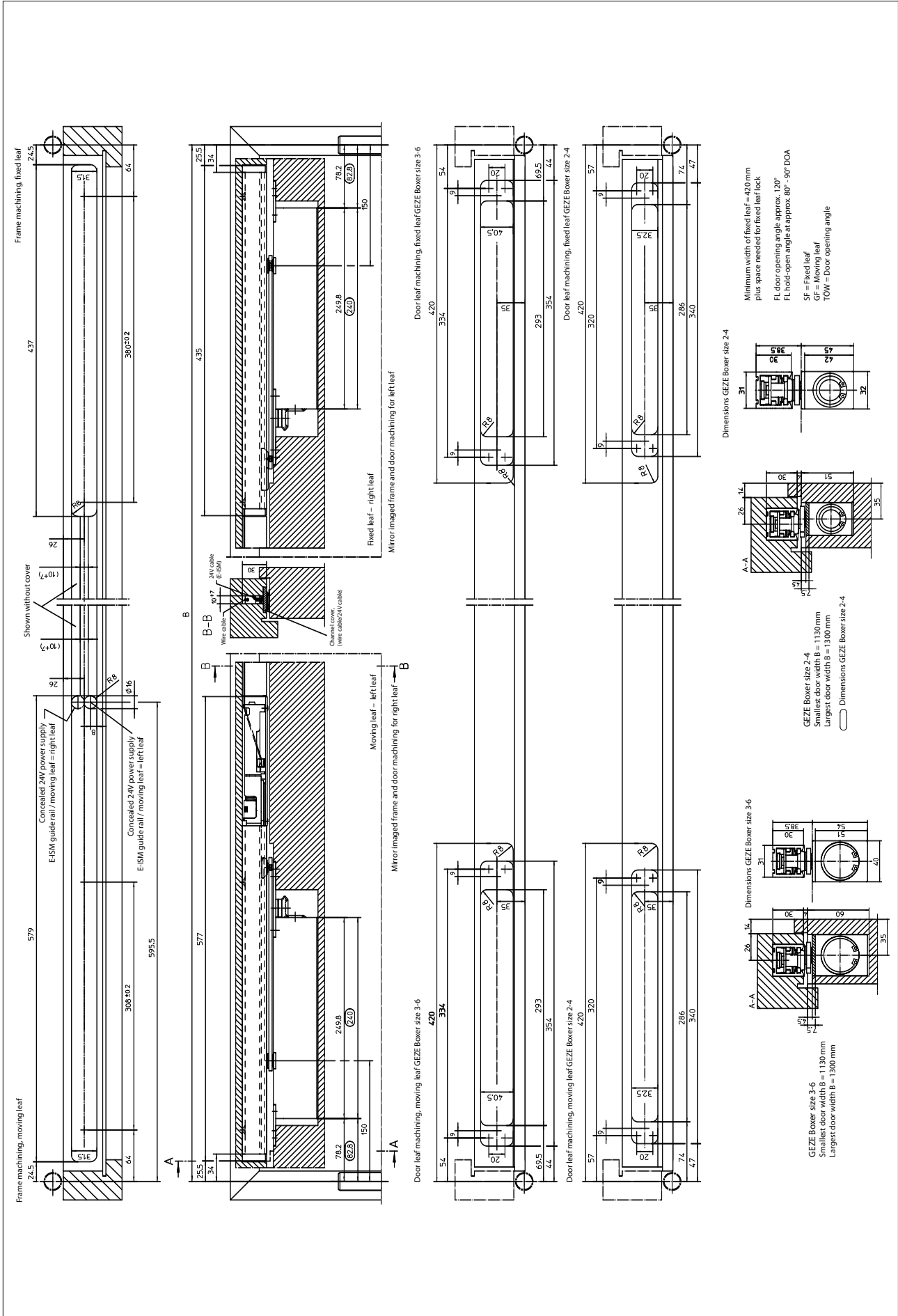
● = Standard

Installation drawing GEZE Boxer ISM / E-ISM Standard in wooden door





Installation drawing GEZE Boxer ISM / E-ISM Small hinge clearance in wooden door



GEZE Boxer ISM – Ordering information

Description	Version	ID no.
GEZE Boxer 2-4 closer Size EN 2-4 with back check (without guide rail)	0 mm	099728
	Spindle extension 4 mm	101759
	8 mm	101760
GEZE Boxer 2-4 2V closer Size EN 2-4 with back check and independent end stop valve (end brake also possible, without guide rail)	0 mm	134448
	Spindle extension 4 mm	134493
	8 mm	134494
GEZE Boxer 3-6 closer Size EN 3-6 with back check (without guide rail)	0 mm	099735
	Spindle extension 4 mm	101761
	8 mm	101762
Boxer ISM guide rail with integrated closing sequence control and levers	silver	114141
Boxer ISM guide rail, version for small hinge clearance specially for small hinge clearances from 1130 mm, with integrated closing sequence control and levers	silver	120894
Boxer ISM guide rail, version for small fixed leaf specially for doors with small fixed leaves from 420 mm, with integrated closing sequence control and levers	silver	128597
Accessories		
Mechanical hold-open unit for ISM guide rail, adjustable retention force, can be overridden		118437



Residential care home for the elderly Zamenhof, Stuttgart, Germany (Photo: Dirk Wilhelmy)

GEZE Boxer E-ISM

Integrated door closer system for double-leaf doors with a hinge clearance of up to 2800 mm featuring integrated closing sequence control and electrical hold-open

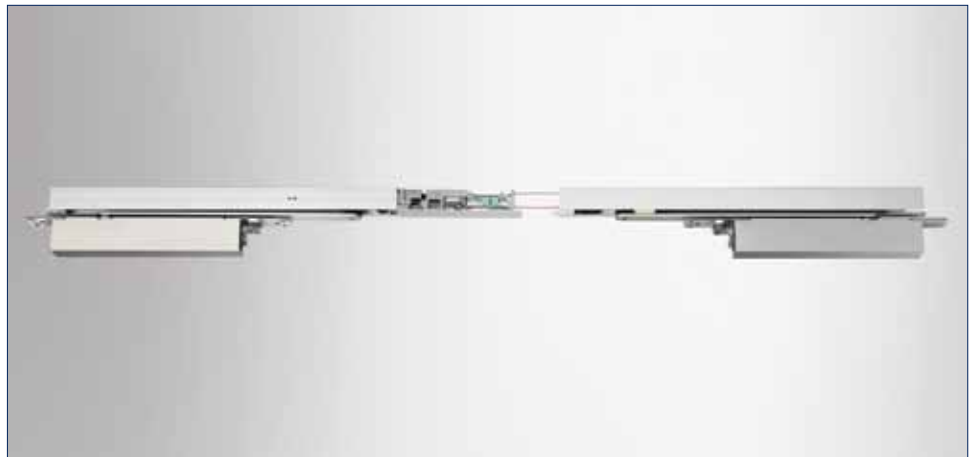
The GEZE Boxer ISM system for double-leaf doors consists of the Boxer 2-4 or Boxer 3-6 in the door leaves and the E-ISM guide rail in the frame. The guide rail is fitted with integrated mechanical closing sequence control in accordance with EN 1158 and an electro-mechanical hold-open mechanism in accordance with EN 1155 on both sides. The E-ISM guide rail is only visible when the door is open. On double-leaf doors it ensures that the moving leaf always closes after the fixed leaf. The retention force of the electro-mechanical hold-open mechanism is infinitely adjustable; the hold-open point can be set anywhere between about 80° and about 120°. The hold-open point can be overridden, i.e. the door can be opened wider if needed. Once installed, the infinitely adjustable closing force, closing speed, latching action and hydraulic back check can be adjusted on the door closers. The system can be used on DIN left and right moving leaves without the need for conversion. In addition, the closing sequence control on the ISM guide rail is extremely resistant to vandalism, i.e. the system will not suffer damage even if the moving leaf is consciously pushed closed from the waiting position.

An additional door suitability certificate is required for fireproof doors. The system is building code approved with the GEZE smoke switch control units RSZ6 and RSZ5. The door must be limited at an opening angle of about 120°.

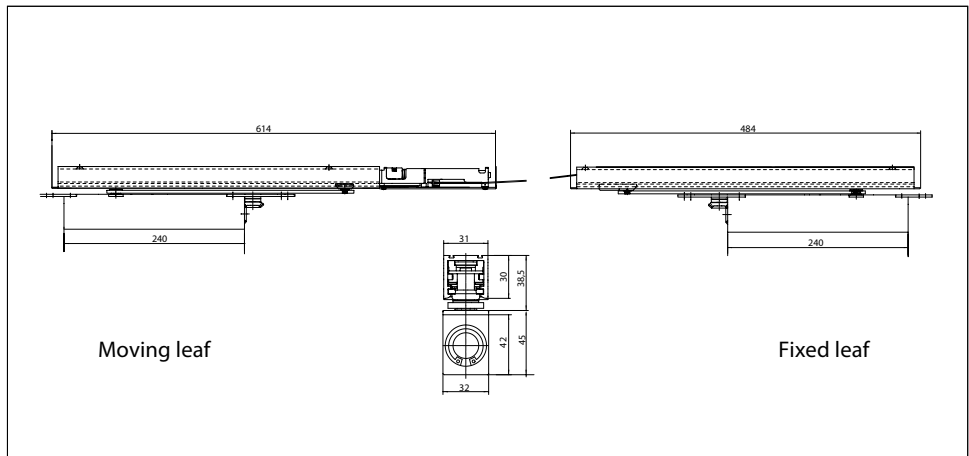
Special versions

- For doors with narrow hinge clearance, from 1130 mm (opening angle max. 100°)
- For doors with small fixed leaf, from 420 mm (opening angle of fixed leaf max. 100°)

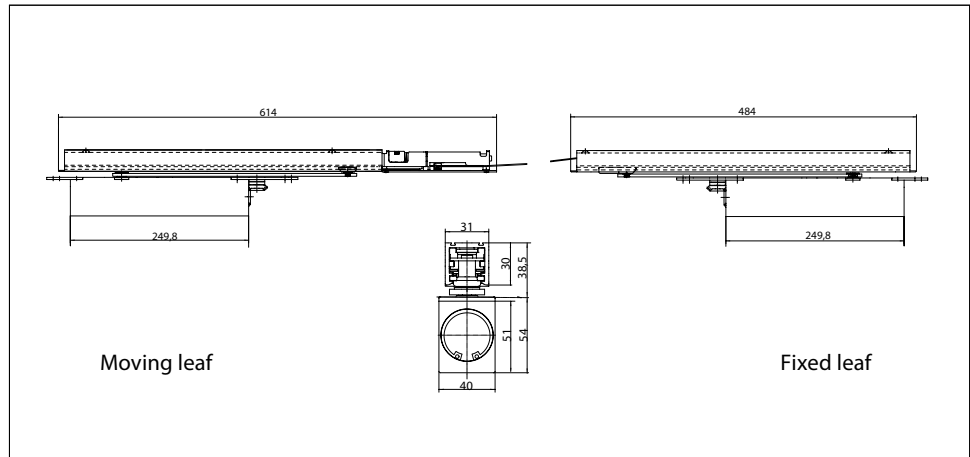
GEZE Boxer E-ISM



GEZE Boxer E-ISM

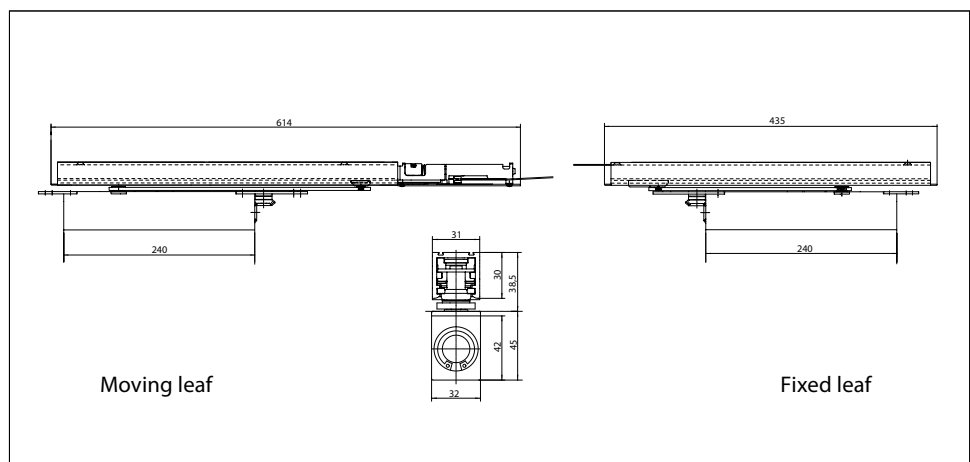


Size 2-4

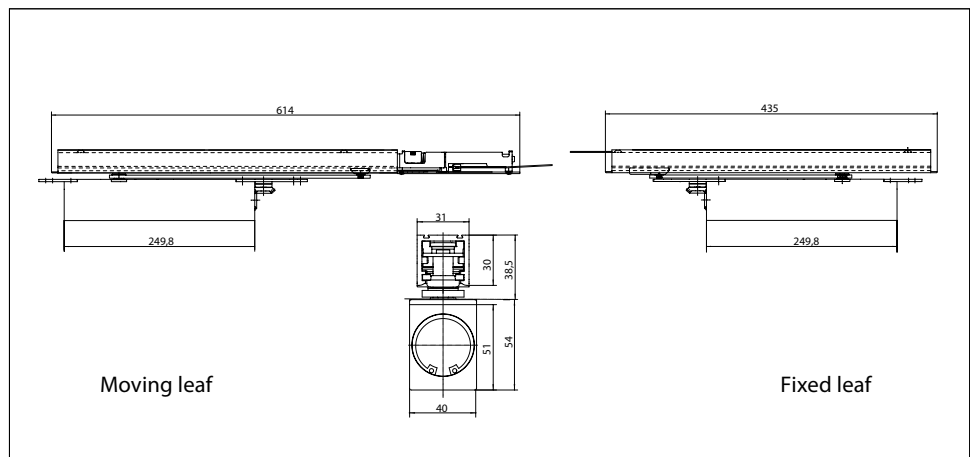


Size 3-6

**GEZE Boxer E-ISM
 for small fixed leaf**

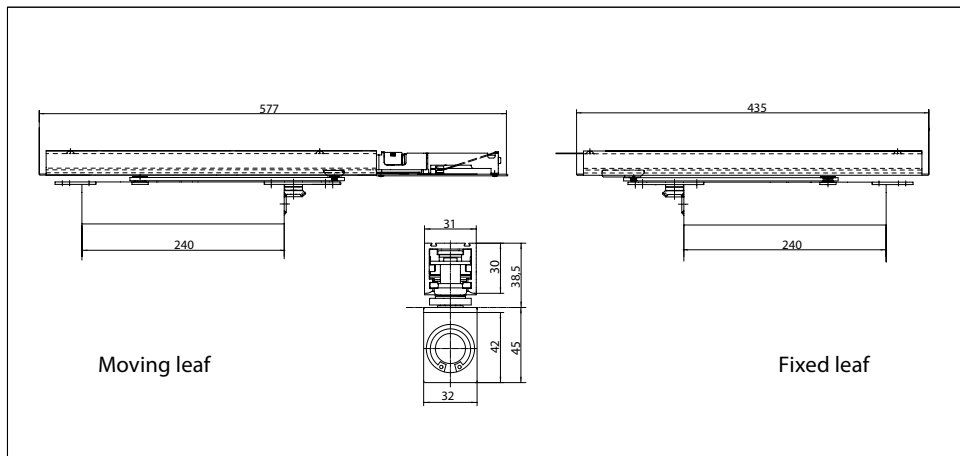


Size 2-4

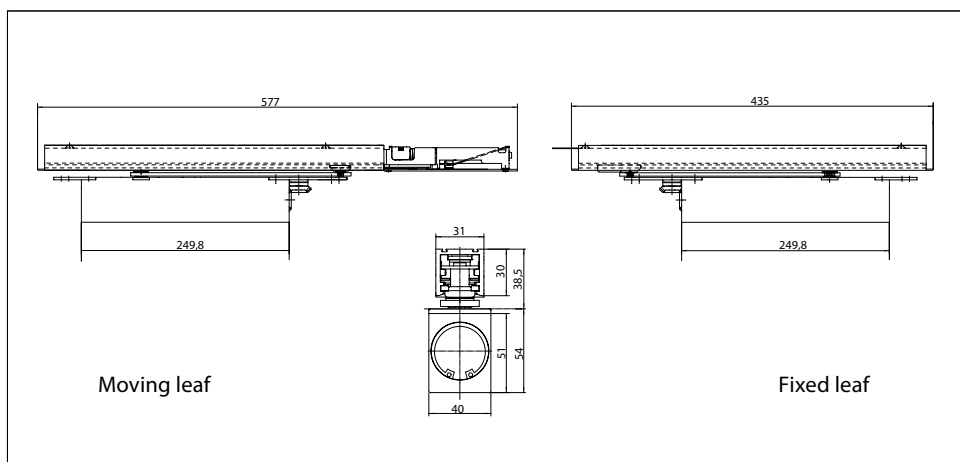


Size 3-6

GEZE Boxer E-ISM for small hinge clearance



Size 2-4



Size 3-6

Application range

- For double-leaf doors, leaf width of up to 1400 mm
- Min. hinge clearance = 1130 mm (version for small hinge clearance),
max. hinge clearance = 2800 mm
- Min. width of fixed leaf 420 mm (version for small fixed leaf)
- Closer size 2-4 for interior doors up to a leaf width of 1100 mm and a leaf weight of 130 kg
- Closer size 2-4 2V with independent end stop valve. This makes it possible to increase and reduce the latching action speed (brake-to-stop function).
- Closer size 3-6 for interior and exterior doors up to a leaf width of 1400 mm and a leaf weight of 180 kg
- Door leaf thickness from 40 mm for size 2-4, from 50 mm for size 3-6
- For fireproof doors with appropriate suitability certificate

Technical specifications: Closer

Product features	GEZE Boxer 2-4 closer	GEZE Boxer 2-4 2V closer	GEZE Boxer 3-6 closer
Closing force in accordance with EN 1154	2 - 4	2 - 4	3 - 6
Leaf width recommended up to	1100 mm	1100 mm	1400 mm
Leaf weight recommended up to	130 kg	130 kg	180 kg
Minimum leaf thickness	40 mm	40 mm	50 mm
Identical version DIN-L and DIN-R	•	•	•
Product tested in acc. with	Door closer tested in acc. with EN 1154		
Length	286 mm	286 mm	293 mm
Installation depth	32 mm	32 mm	40 mm
Height	45 mm	45 mm	54 mm

Functions

Adjustable closing force	Yes, infinitely variable		
Adjustable closing speed	•	•	•
Adjustable latching action	Yes, via valve		
Integrated back check	Yes, hydraulically adjustable		
Closing force adjustment position	Top		
Safety valve to protect against vandalism	•	•	•
Valve control for regulating the latching action speed		•	

Technical specifications: Guide rail

Product features	Boxer E-ISM guide rail	Boxer E-ISM guide rail, version for small hinge clearance	Boxer E-ISM guide rail, version for small fixed leaf
Minimum hinge clearance	1300 mm	1130 mm	1230 mm
Minimum width of fixed leaf	540 mm	420 mm	420 mm
Supply voltage	24V DC		
Enclosure rating	IP 43		
Product tested in acc. with	Hold-open mechanism tested in acc. with EN 1155 Closing sequence controller tested in acc. with EN 1158		
Installation depth	31 mm		
Height	30 mm		

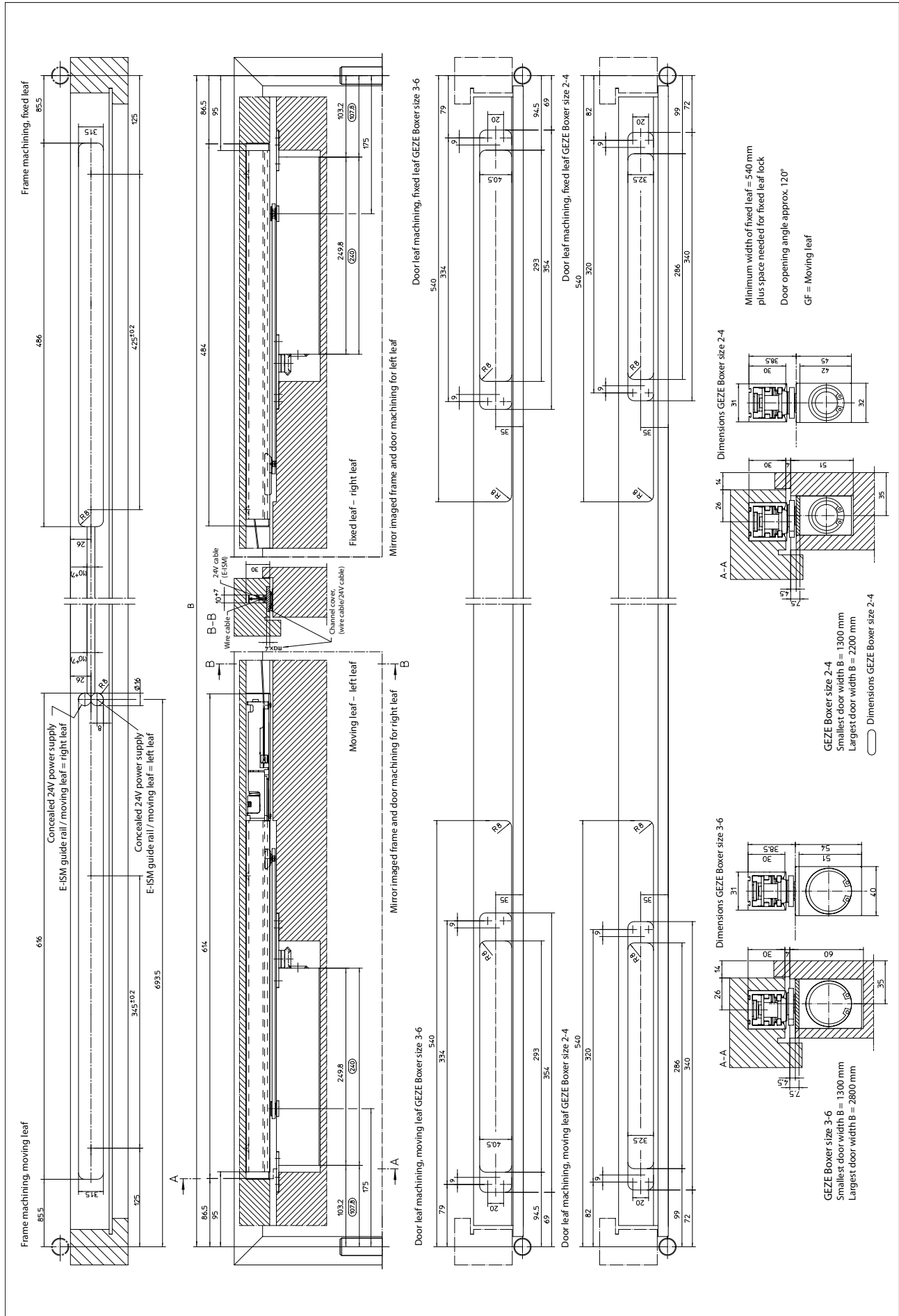
Functions

Integrated closing sequence control	•	•	•
Integrated hold-open mechanism	Electrical		
Hold-open mechanism on moving leaf / fixed leaf	• / •		
Hold-open mechanism, can be activated or deactivated	•	•	•
Hold-open mechanism can be overridden	•	•	•

○ = Optional

● = Standard

Installation drawing GEZE Boxer ISM / E-ISM Standard in wooden door



GEZE Boxer E-ISM – Ordering information

Description	Version	ID no.
GEZE Boxer 2-4 closer Size EN 2-4 with back check (without guide rail)	0 mm	099728
	Spindle extension 4 mm	101759
	8 mm	101760
GEZE Boxer 2-4 2V closer Size EN 2-4 with back check and independent end stop valve (end brake also possible, without guide rail)	0 mm	134448
	Spindle extension 4 mm	134493
	8 mm	134494
GEZE Boxer 3-6 closer Size EN 3-6 with back check (without guide rail)	0 mm	099735
	Spindle extension 4 mm	101761
	8 mm	101762
Boxer E-ISM guide rail with integrated closing sequence control, electrical hold-open on both sides, and levers	silver	114142
Boxer E-ISM guide rail, version for small hinge clearance specially for small hinge clearances from 1130 mm, with integrated closing sequence control, electrical hold-open on both sides, and levers	silver	120895
Boxer E-ISM guide rail, version for small fixed leaf specially for doors with small fixed leaves from 420 mm, with integrated closing sequence control, electrical hold-open on both sides, and levers	silver	128598
Accessories		
GEZE smoke switch control unit RSZ6 Smoke switch and energy supply for all GEZE hold-open mechanisms	silver	099851
	dark bronze	099857
	white RAL 9016	099858
	Stainless steel effect ¹⁾	099856
	acc. to RAL ²⁾	099859
GEZE smoke detector GC 152 Complete with base, 24 V DC, 20 mA, tested to EN54-7, with general ap- proval for use with all GEZE hold-open systems, integrated line control, conform with DIN EN 14637	white	139850
GEZE thermal detector GC 153 Complete with base, 24 V DC, 20mA, tested to EN54-5, with general ap- proval for use with all GEZE hold-open systems, integrated line control, conform with DIN EN 14637	white	139881
GEZE circuit breaker Concealed version, for manual release of electrical hold-open mechanisms	Alpine white	116266
Single surface-mounted socket matches the AS500 switch range		120503
GEZE circuit breaker with glass pane and 5 interchangeable labels Concealed version, for manual release of electrical hold-open mechanisms	Alpine white	120880
Replacement pane for GEZE circuit breaker 120880		010994

¹⁾ Only suitable for dry rooms

²⁾ Surcharge for special RAL colours, see general information

GEZE Boxer ISM-EFS

Integrated door closer system for double-leaf doors with a hinge clearance of up to 2200 mm featuring integrated closing sequence control and electrical freeswing function on the moving leaf

The GEZE Boxer ISM-EFS system for double-leaf doors consists of the Boxer EFS with freeswing function on the moving leaf, a Boxer 2-4 on the fixed leaf and the ISM guide rail with integrated mechanical closing sequence control in accordance with EN 1158 in the frame. The ISM guide rail is only visible when the door is open. On double-leaf doors it ensures that the moving leaf always closes after the fixed leaf. The freeswing function allows the moving leaf to be used with minimum resistance in the direction of opening or closing – e.g. in homes for the elderly or hospitals – after the door has been opened once (such as in the morning).

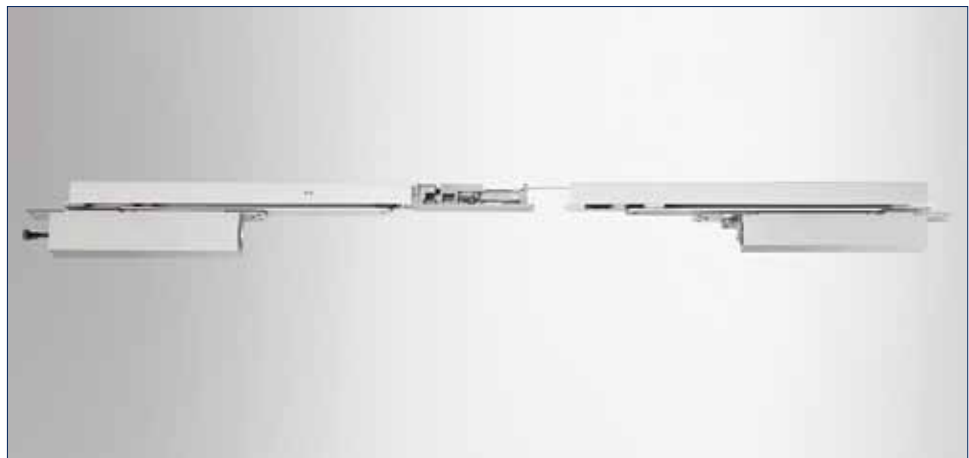
Once installed, the closing speed, latching action and closing force of the door closers can be adjusted on the fixed leaf. The system can be used on DIN left and right moving leaves without the need for conversion. In addition, the closing sequence control on the ISM guide rail is extremely resistant to vandalism, i.e. the system will not suffer damage even if the moving leaf is consciously pushed closed from the waiting position.

An additional door suitability certificate is required for fireproof doors. The system is building code approved with the GEZE smoke switch control units RSZ6 and RSZ5. The door must be limited at an opening angle of about 120°.

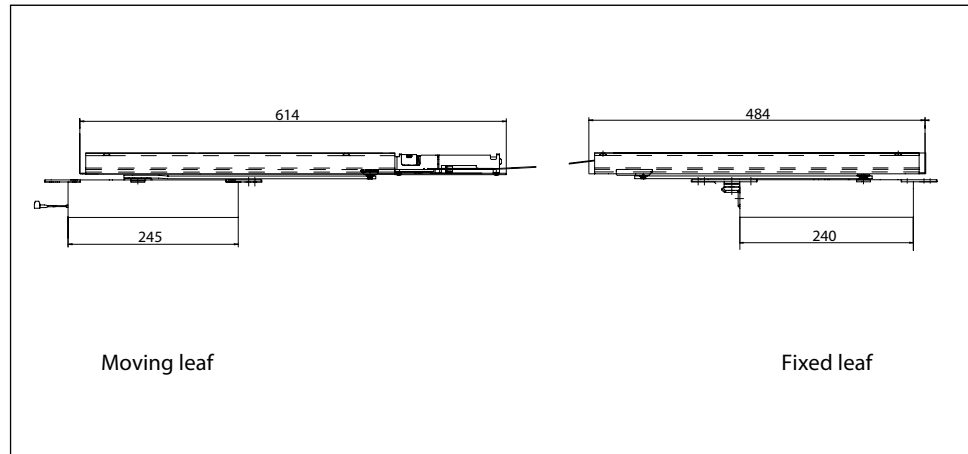
Special versions

- For doors with small fixed leaf, from 420 mm (opening angle of fixed leaf max. 100°)

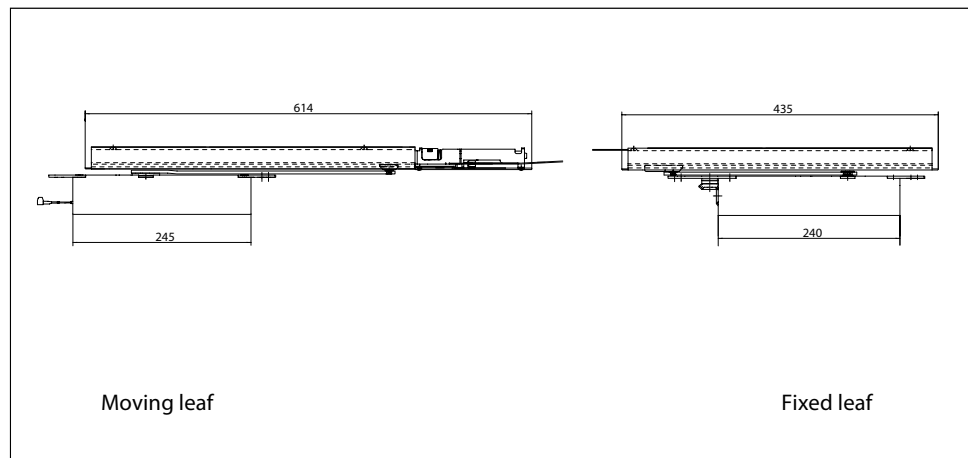
GEZE Boxer ISM-EFS



GEZE Boxer ISM-EFS



**GEZE Boxer ISM-EFS
 for small fixed leaf**



Application range

- For double-leaf doors, leaf width of up to 1100 mm
- Min. hinge clearance = 1230 mm (version for small fixed leaf), max. hinge clearance = 2200 mm
- Min. width of fixed leaf 420 mm (version for small fixed leaf)
- Closer size 4 for doors up to a leaf width of 1100 mm and a leaf weight of 130 kg
- Closer size 2-4 2V with independent end stop valve. This makes it possible to increase and reduce the latching action speed (brake-to-stop function).
- Leaf thickness min. 50 mm
- For fireproof doors with appropriate suitability certificate

GEZE BOXER

Technical specifications: Closer

Product features	GEZE Boxer EFS complete package	GEZE Boxer 2-4 closer	GEZE Boxer 2-4 2V closer
Closing force in accordance with EN 1154	4	2 - 4	2 - 4
Leaf width recommended up to	1100 mm		
Leaf weight recommended up to	130 kg		
Minimum leaf thickness	50 mm	40 mm	40 mm
Identical version DIN-L and DIN-R	•	•	•
Supply voltage	24V DC		
Enclosure rating	IP 43		
Product tested in acc. with	Door closer tested in acc. with EN 1154 Hold-open mechanism tested in acc. with EN 1155	Door closer tested in acc. with EN 1154	Door closer tested in acc. with EN 1154
Length	245 mm	286 mm	286 mm
Installation depth	40 mm	32 mm	32 mm
Height	54 mm	45 mm	45 mm

Functions

Adjustable closing force	No	Yes, infinitely variable	Yes, infinitely variable
Adjustable closing speed	•	•	•
Adjustable latching action	Yes, via valve		
Integrated back check	Yes, mechanically in the guide rail	Yes, hydraulically adjustable	Yes, hydraulically adjustable
Closing force adjustment position		Top	Top
Safety valve to protect against vandalism	•		•
Valve control for regulating the latching action speed			•
Integrated hold-open mechanism	electrical / for freeswing function		

Technical specifications: Guide rail

Product features	Boxer ISM guide rail	Boxer ISM guide rail, version for small fixed leaf
Minimum hinge clearance	1300 mm	1230 mm
Minimum width of fixed leaf	540 mm	420 mm
Product tested in acc. with	Closing sequence controller tested in acc. with EN 1158	
Installation depth	31 mm	
Height	30 mm	

Functions

Integrated closing sequence control	•	•
-------------------------------------	---	---

○ = Optional

● = Standard

GEZE Boxer ISM-EFS – Ordering information

Description	Version	ID no.
GEZE Boxer EFS complete package Size EN4, with back check and freeswing guide rail	Spindle extension 0 mm	108881
Boxer EFS spindle extension	4 mm	108882
	8 mm	108883
GEZE Boxer 2-4 closer Size EN 2-4 with back check (without guide rail)	0 mm	099728
	4 mm	101759
GEZE Boxer 2-4 2V closer Size EN 2-4 with back check and independent end stop valve (end brake also possible, without guide rail)	8 mm	101760
	0 mm	134448
Boxer ISM guide rail with integrated closing sequence control and levers	4 mm	134493
	8 mm	134494
Boxer ISM guide rail, version for small fixed leaf specially for doors with small fixed leaves from 420 mm, with integrated closing sequence control and levers	silver	114141
Accessories	silver	099851
	dark bronze	099857
	white RAL 9016	099858
	Stainless steel effect ¹⁾	099856
	acc. to RAL ²⁾	099859
GEZE smoke switch control unit RSZ6 Smoke switch and energy supply for all GEZE hold-open mechanisms	white	139850
GEZE smoke detector GC 152 Complete with base, 24 V DC, 20 mA, tested to EN54-7, with general approval for use with all GEZE hold-open systems, integrated line control, conform with DIN EN 14637	white	139881
GEZE thermal detector GC 153 Complete with base, 24 V DC, 20mA, tested to EN54-5, with general approval for use with all GEZE hold-open systems, integrated line control, conform with DIN EN 14637	Alpine white	116266
GEZE circuit breaker Concealed version, for manual release of electrical hold-open mechanisms		120503
Single surface-mounted socket matches the AS500 switch range	Alpine white	120880
GEZE circuit breaker with glass pane and 5 interchangeable labels Concealed version, for manual release of electrical hold-open mechanisms		010994
Replacement pane for GEZE circuit breaker 120880		

1) Only suitable for dry rooms

2) Surcharge for special RAL colours, see general information

GEZE Boxer P

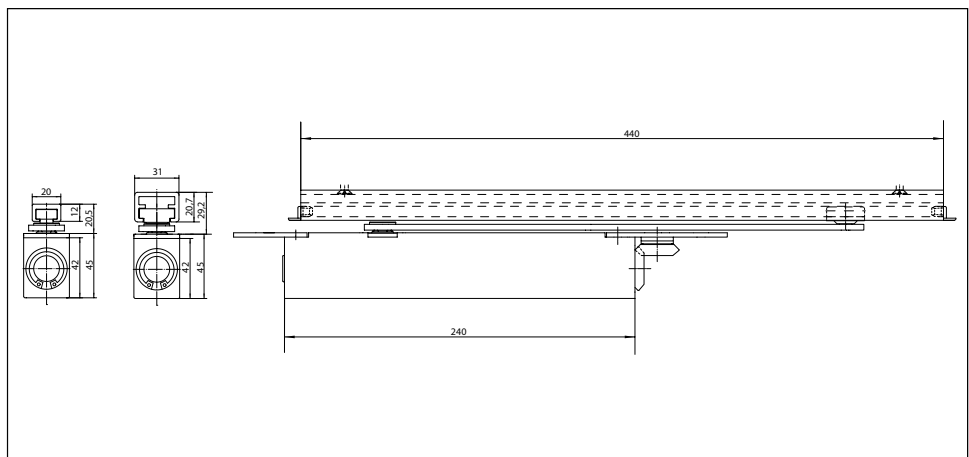
Integrated door closer for single-leaf double-action doors with a leaf width of up to 1100 mm

The GEZE Boxer 2-4 integrated double-action door closer is suitable for installation in lightweight double-actions doors. It is fully incorporated into the door leaf and is not visible when the door is closed. Once installed, the closing force, closing speed, latching action and hydraulic back check can be conveniently adjusted from the top. The door must be limited at an opening angle of about 120°.

GEZE Boxer P



GEZE Boxer P



Application range

- For double-action doors up to a leaf width of 1100 mm
- Leaf weights up to 80 kg
- Leaf thickness min. 40 mm

Technical specifications: Closer

Product features	GEZE Boxer 2-4 closer	GEZE Boxer 2-4 2V closer
Closing force in accordance with EN 1154	2 - 4	2-4
Leaf width recommended up to	1100 mm	1100 mm
Leaf weight recommended up to	80 kg	80 kg
Minimum leaf thickness	40 mm	40 mm
Identical version DIN-L and DIN-R	•	•
Product tested in acc. with	Door closer tested in acc. with EN 1154	
Length	286 mm	286 mm
Installation depth	32 mm	32 mm
Height	45 mm	45 mm

Functions

Adjustable closing force	Yes, infinitely variable	
Adjustable closing speed	•	•
Adjustable latching action	Yes, via valve	
Integrated back check	Yes, hydraulically adjustable	
Closing force adjustment position	Top	
Safety valve to protect against vandalism	•	•
Valve control for regulating the latching action speed		•

Technical specifications: Guide rail

Product features	Boxer guide rail, 12 mm	Boxer guide rail, 20.7 mm
For use on single-action/double-action doors	Double-action door	
Length	440 mm	
Installation depth	20 mm	31 mm
Height	12 mm	20,7 mm

Functions

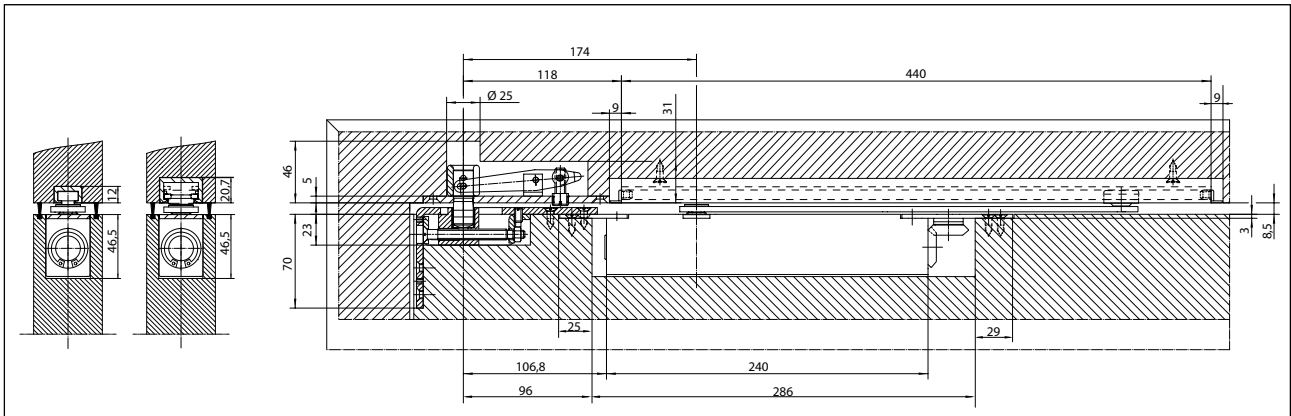
Integrated opening restrictor	○	○
Integrated hold-open mechanism	○	Mechanical
Hold-open mechanism, can be activated or deactivated		•
Hold-open mechanism can be overridden		•

○ = Optional

• = Standard

Installation drawing

Boxer P size 2-4



Installation on wooden door



Hermitage Museum, Amsterdam, Netherlands (Photo: Erwin Kamphuis)

GEZE Boxer P – Ordering information

Description	Version	ID no.	
GEZE Boxer 2-4 closer size EN 2-4 with back check (without guide rail)		0 mm	099728
	Spindle extension	4 mm	101759
		8 mm	101760
GEZE Boxer 2-4 2V closer Size EN 2-4 with back check and independent end stop valve (end brake also possible, without guide rail)		0 mm	134448
	Spindle extension	4 mm	134493
		8 mm	134494
Boxer 12 mm guide rail with lever for double-action doors, installation height 12 mm (Boxer 2-4 only)		silver	129344
		acc. to RAL ¹⁾	135733
Boxer 20.7 mm guide rail with lever for double-action doors and mechanical hold-open, installation height 20.7 mm (Boxer 2-4 only)		silver	104246
		acc. to RAL ¹⁾	135731
Accessories			
Mechanical hold-open for Standard / T-STOP / Boxer 20.7 mm guide rail, adjustable retention force, can be activated/deactivated and overridden			071924
Mechanical hold-open for Boxer 12 mm guide rail, adjustable retention force, cannot be overridden			129145
Flexible opening restrictor for lightweight doors for riveted, Standard BG and Boxer 20.7 mm guide rails			069780
Flexible opening restrictor for lightweight doors for Boxer 12 mm guide rail			129343

¹⁾ Surcharge for special RAL colours, see general information

GEZE smoke switch control unit RSZ6

Smoke switch and energy supply for all GEZE hold-open mechanisms

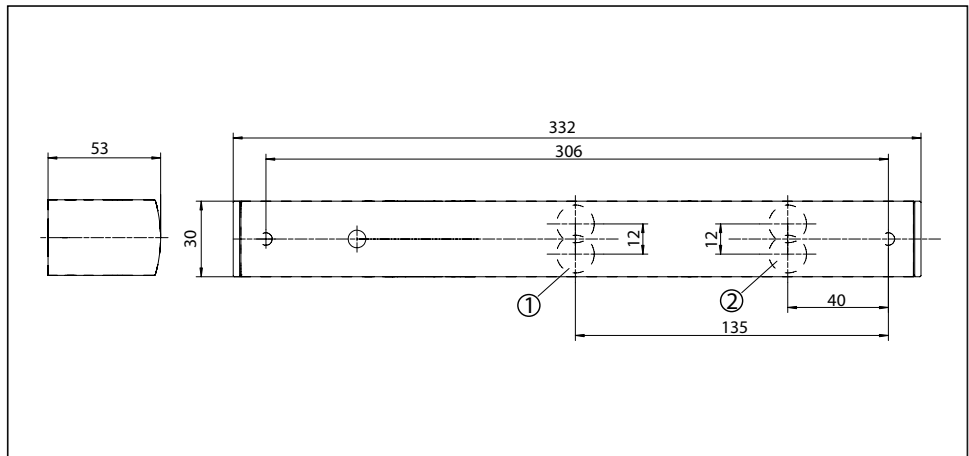
The GEZE smoke switch control unit RSZ6 features the typical GEZE design and has an installation height of 30 mm. It is connected to the 230V mains and provides a reliable supply of 24V DC voltage to the connected hold-open mechanisms (max. 200mA).

The smoke switch control unit is mounted on the vertical wall above the door opening and therefore acts as an early fire and smoke warning system (please leave at least 20 mm clearance to the ceiling). When the alarm is activated, the supply of voltage to the hold-open mechanisms (e.g. electrical hold-open in the guide rail or retention magnet) is interrupted and the doors close immediately. Two additional ceiling detectors can be connected, depending on requirements. The integrated smoke switch is fitted with automatic adaptation of the alarm threshold. This compensates for any slight soiling of the smoke chamber and increases its service life. The current status of the smoke switch is displayed visually.

GEZE smoke switch control unit RSZ6



GEZE smoke switch control unit RSZ6



- (1) = Additional connections
- (2) = Concealed power supply 230V AC

Application range

- Approved for use with all GEZE hold-open mechanisms

GEZE smoke switch control unit RSZ6 - Ordering information

Description	Version	ID no.
GEZE smoke switch control unit RSZ6 Smoke switch and energy supply for all GEZE hold-open mechanisms	silver	099851
	dark bronze	099857
	white RAL 9016	099858
	Stainless steel effect ¹⁾	099856
	acc. to RAL ²⁾	099859
Accessories		
GEZE smoke detector GC 152 Complete with base, 24 V DC, 20 mA, tested to EN54-7, with general approval for use with all GEZE hold-open systems, integrated line control, conform with DIN EN 14637	white	139850
GEZE thermal detector GC 153 Complete with base, 24 V DC, 20mA, tested to EN54-5, with general approval for use with all GEZE hold-open systems, integrated line control, conform with DIN EN 14637	white	139881
GEZE circuit breaker with glass pane and 5 interchangeable labels Concealed version, for manual release of electrical hold-open mechanisms	Alpine white	120880
GEZE circuit breaker Concealed version, for manual release of electrical hold-open mechanisms	Alpine white	116266
Single surface-mounted socket matches the AS500 switch range		120503
Replacement pane for GEZE circuit breaker 120880		010994

1) Only suitable for dry rooms

2) Surcharge for special RAL colours, see general information



Residential care home for the elderly Zamenhof, Stuttgart, Germany (Photo: Dirk Wilhelmy)

You will find more product information in the relevant brochures, see ID numbers.

Door technology

01	Overhead door closers ID 091593, ID 091594
02	Hold-open systems ID 091593, ID 091594
03	Integrated door closers ID 091609
04	Floor springs ID 091607
05	Sliding door gear systems and linear guides ID 123605, ID 008770, ID 000586

Automatic door systems

06	Swing doors ID 144785
07	Sliding, telescopic and folding doors ID 143639
08	Circular and semi-circular sliding doors ID 135772
09	Revolving doors ID 132050
10	Actuation devices and sensors ID 142655

Smoke and heat extraction and window technology

11	Fanlight opening systems ID 127787
12	Electric opening and locking systems ID 154851
13	Electrical spindle and linear drives ID 154851
14	Electric chain drives ID 154851
15	Smoke and heat extraction systems ID 154851

Safety technology

16	Emergency exit systems ID 132408
17	Access control systems ID 132158
18	Panic locks ID 132848
19	Electric strikes ID 148666
20	Building management system ID 132408

Glass systems

21	Manual sliding wall systems (MSW) ID 104377
22	Integrated all-glass systems (IGG) ID 104366
23	GEZE Patch fittings mono glass systems ID 122521



POTENTIAL APPLICATIONS OF GEZE PRODUCTS



Door technology

The functionality, superior performance and reliability of GEZE door closers are impressive. A common design across the range, the ability to use them on all common door leaf widths and weights, and the fact that they can be individually adjusted makes their selection simple. They are continually being improved and enhanced with up-to-date features. For example, the requirements of fire protection and accessibility are fulfilled with a door closer system.

Automatic door systems

GEZE automatic door systems open up a huge variety of options in door design. The latest, innovative high-performance drive technology, safety, ease of accessibility and first class universal drive design set them apart. GEZE offers complete solutions for individual requirements. A dedicated division is responsible for the development and construction of individual special designs.

Smoke and heat extraction and window technology

GEZE smoke and heat extraction systems and ventilation technology provide complete systems solutions combining the many requirements of different types of windows. We supply a full range from energy efficient drive systems to natural ventilation and complete solutions for supplying and extracting air, also as certified SHEVs.

Safety technology

GEZE safety technology sets the standards where preventative fire protection, access control and anti-theft security in emergency exits are concerned. For each of these objectives GEZE offers tailored solutions, which combine the individual safety requirements in one intelligent system and close doors and windows in case of danger in a coordinated manner.

Building systems

In GEZE's Building Management System GEZE door, window and safety products can be integrated in to the security and control systems of the building. A central control and visualisation system monitors various automation components in the building and offers security through many different networking capabilities.

Glass systems

GEZE glass systems stand for open and transparent interior design. They can either blend discreetly into the architecture of the building or stand out as an accentuated feature. GEZE offers a wide variety of technologies for functional, reliable and aesthetic sliding wall or sliding door systems providing security with lots of design scope.

GEZE GmbH
P.O. Box 1363
71226 Leonberg
Germany

GEZE GmbH
Reinhold-Vöster-Straße 21-29
71229 Leonberg
Germany
Telefon +49 (0) 7152-203-0
Telefax +49 (0) 7152-203-310
www.geze.com

Germany
GEZE Sonderkonstruktionen GmbH
 Planken 1
 97944 Boxberg-Schweigern
 Tel. +49 (0) 7930-92 94-0
 Fax +49 (0) 7930-92 94-10
 sk.de@geze.com

GEZE GmbH
 Niederlassung Süd-West
 Breitwiesenstraße 8
 71229 Leonberg
 Tel. +49 (0) 7152-203-594
 Fax +49 (0) 7152-203-438
 leonberg.de@geze.com

GEZE GmbH
 Niederlassung Süd-Ost
 Parking 17
 85748 Garching bei München
 Tel.: +49 (0) 89-120 07 42-50
 Fax.: +49 (0) 7152-203-77050
 garching.de@geze.com

GEZE GmbH
 Niederlassung Ost
 Bühringstraße 8
 13086 Berlin (Weissensee)
 Tel. +49 (0) 30-47 89 90-0
 Fax +49 (0) 30-47 89 90-17
 berlin.de@geze.com

GEZE GmbH
 Niederlassung Mitte/Luxemburg
 Adenauerallee 2
 61440 Oberursel (b. Frankfurt)
 Tel. +49 (0) 6171-63 610-0
 Fax +49 (0) 6171-63 610-1
 frankfurt.de@geze.com

GEZE GmbH
 Niederlassung West
 Nordsternstraße 65
 45329 Essen
 Tel. +49 (0) 201-83 082-0
 Fax +49 (0) 201-83 082-20
 essen.de@geze.com

GEZE GmbH
 Niederlassung Nord
 Haus 11, 1. OG - Theodorstr. 42-90
 22761 Hamburg-Bahrenfeld
 Tel. +49 (0) 40-2 19 07 16-27
 Fax +49 (0) 40-2 19 07 16-28
 hamburg.de@geze.com

GEZE Service GmbH
 Niederlassung Süd-West
 Reinhold-Vöster-Straße 25
 71229 Leonberg
 Tel. +49 (0) 1802-923392
 Fax +49 (0) 7152-92 33 63
 service-leonberg.de@geze.com

GEZE Service GmbH
 Niederlassung Süd
 Parking 17
 85748 Garching bei München
 Tel. +49 (0) 1802-923392
 Fax +49 (0) 89-120 07 42-60
 service-muenchen.de@geze.com

GEZE Service GmbH
 Niederlassung Mitte
 Oberurseler Str. 69
 61440 Oberursel
 Tel. +49 (0) 1802-923392
 Fax +49 (0) 6171-63 327-19
 service-oberursel.de@geze.com

GEZE Service GmbH
 Niederlassung West
 Nordsternstraße 65
 45329 Essen
 Tel. +49 (0) 1802-923392
 Fax +49 (0) 201-8 30 82-25
 service-essen.de@geze.com

GEZE Service GmbH
 Niederlassung Nord-Ost
 Bühringstraße 8
 13086 Berlin (Weissensee)
 Tel. +49 (0) 1802-923392
 Fax +49 (0) 30-47021733
 service-berlin.de@geze.com

GEZE Service GmbH
 Niederlassung Nord
 Theodorstr. 42-90, Haus 11
 22761 Hamburg
 Tel. +49 (0) 1802-923392
 Fax +49 (0) 40-219 07 16-19
 service-hamburg.de@geze.com

Austria
GEZE Austria
 Wiener Bundesstrasse 85
 A-5300 Hallwang
 Tel: +43/6225/87180
 Fax: +43/6225/87180-299
 austria.at@geze.com

Baltic States
GEZE GmbH Baltic States office
 Dzelsavas iela 120 S
 1021 Riga
 Tel. +371 (0) 67 89 60 35
 Fax +371 (0) 67 89 60 36
 office-latvia@geze.com

Benelux
GEZE Benelux B.V.
 Steenoven 36
 5626 DK Eindhoven
 Tel. +31 (0) 40-26 290-80
 Fax +31 (0) 40-26 290-85
 benelux.nl@geze.com

Bulgaria
GEZE Bulgaria - Trade
 Representative Office
 Nickolay Haitov 34 str., fl. 1
 1172 Sofia
 Tel. +359 (0) 24 70 43 73
 Fax +359 (0) 24 70 62 62
 office-bulgaria@geze.com

China
GEZE Industries (Tianjin) Co., Ltd.
 Shuangchenzhong Road
 Beichen Economic Development
 Area (BEDA)
 Tianjin 300400, P.R. China
 Tel. +86 (0) 22-26 97 39 95-0
 Fax +86 (0) 22-26 97 27 02
 sales-info@geze.com.cn

GEZE Industries (Tianjin) Co., Ltd.
 Branch Office Shanghai
 Unit 25N, Cross Region Plaza
 No 899, Ling Ling Road,
 XuHui District
 200030 Shanghai, P.R. China
 Tel. +86 (0) 21-523 40 960
 Fax +86 (0) 21-644 72 007
 chinasales@geze.com.cn

GEZE Industries (Tianjin) Co., Ltd.
 Branch Office Guangzhou
 Room 17C3
 Everbright Bank Building, No.689
 Tian He Bei Road
 510630 Guangzhou
 P.R. China
 Tel. +86 (0) 20-38 73 18 42
 Fax +86 (0) 20-38 73 18 34
 chinasales@geze.com.cn

GEZE Industries (Tianjin) Co., Ltd
 Branch Office Beijing
 Room 1001, Tower D
 Sanlitun SOHO
 No. 8, Gongti North Road,
 Chaoyang District
 100027 Beijing, P.R.China
 Tel. +86 (0) 10-59 35 93 00
 Fax +86 (0) 10-59 35 93 22
 chinasales@geze.com.cn

France
GEZE France S.A.R.L.
 ZAC de l'Orme Rond
 RN 19
 77170 Servon
 Tel. +33 (0) 1 60 62 60 70
 Fax +33 (0) 1 60 62 60 71
 france.fr@geze.com

Hungary
GEZE Hungary Kft.
 Hungary-2051 Biatorbágy
 Vendel Park
 Huber u. 1.
 Tel. +36/23/532-735
 Fax +36/23/532-738
 office-hungary@geze.com

Iberia
GEZE Iberia S.R.L.
 C/ Andorra 24
 08830 San Boi de Llobregat
 (Barcelona)
 Tel. +34 902 194 036
 Fax +34 902 194 035
 info@geze.es

India
GEZE India Private Ltd.
 MF 2 & 3, Guindy Industrial Estate
 Ekkattuthangal
 Chennai 600 097
 Tamilnadu
 Tel. +91 (0) 44 30 61 69 00
 Fax +91 (0) 44 30 61 69 01
 office-india@geze.com

Italy
GEZE Italia S.r.l
 Via Giotto, 4
 20040 Cambiago (MI)
 Tel. +39 (0) 29 50 695-11
 Fax +39 (0) 29 50 695-33
 italia.it@geze.com

GEZE Italia S.r.l
 Via Lucrezia Romana, 91
 00178 Roma
 Tel. +39 (0) 6-72 65 311
 Fax +39 (0) 6-72 65 3136
 roma@geze.biz

Poland
GEZE Polska Sp.z o.o.
 ul. Annopol 21
 03-236 Warszawa
 Tel. +48 224 404 440
 Fax +48 224 404 400
 geze.pl@geze.com

Romania
GEZE Romania S.R.L.
 IRIDE Business Park,
 Str. Dimitrie Pompeiu nr. 9-9a,
 Building 10, Level 2, Sector 2,
 020335 Bucharest
 Tel.: +40 (0) 21 25 07 750
 Fax: +40 (0) 21 25 07 750
 office-romania@geze.com

Russia
OOO GEZE RUS
 Gamsonovskiy Per. 2
 115191 Moskau
 Tel. +7 (0) 495 933 06 59
 Fax +7 (0) 495 933 06 74
 office-russia@geze.com

Scandinavia - Sweden
GEZE Scandinavia AB
 Mallslöngan 10
 Box 7060
 18711 Täby, Sweden
 Tel. +46 (0) 8-7323-400
 Fax +46 (0) 8-7323-499
 sverige.se@geze.com

Scandinavia - Norway
GEZE Scandinavia AB avd. Norge
 Industriveien 34 B
 2073 Dal
 Tel. +47 (0) 639-57 200
 Fax +47 (0) 639-57 173
 norge.se@geze.com

Scandinavia - Finland
Branch office of GEZE Scandinavia AB
 Herralantie 824
 Postbox 20
 15871 Hollola
 Tel. +358 (0) 10-40 05 100
 Fax +358 (0) 10-40 05 120
 finland.se@geze.com

Scandinavia - Denmark
GEZE Danmark
 Branch office of GEZE Scandinavia AB
 Mårkærvej 13 J-K
 2630 Taastrup
 Tel. +45 (0) 46-32 33 24
 Fax +45 (0) 46-32 33 26
 danmark.se@geze.com

Singapore
GEZE (Asia Pacific) Pte. Ltd.
 21 Bukit Batok Crescent
 #23-75 Wcega Tower
 Singapore 658065
 Tel. +65 6846 1338
 Fax: +65 6846 9353
 gezesea@geze.com.sg

South Africa
GEZE Distributors (Pty) Ltd.
 118 Richards Drive, Halfway House,
 Ext 111, P.O. Box 7934, Midrand 1685,
 South Africa
 Tel: + 27 (0) 113 158 286
 Fax: + 27 (0) 113158261
 info@gezesa.co.za

Switzerland
GEZE Schweiz AG
 Bodenackerstrasse 79
 4657 Dulliken
 Tel. +41 (0) 62 285 54 00
 Fax +41 (0) 62 285 54 01
 schweiz.ch@geze.com

Turkey
GEZE Kapı ve Pencere Sistemleri
 San. ve Tic. Ltd. Şti.
 Ataşehir Bulvarı, Ata 2/3
 Plaza Kat: 9 D: 84 Ataşehir
 Ataşehir / İstanbul
 Tel. + 90 (0) 216 455 43 15
 Fax + 90 (0) 216 455 82 15
 office-turkey@geze.com

Ukraine
LLC GEZE Ukraine
 ul. Viskoznaya, 17,
 Building 93-B, Office 12
 02660 Kiev
 Tel./Fax +38 (0) 44 501 22 25
 office-ukraine@geze.com

United Arab Emirates/GCC
GEZE Middle East
 P.O. Box 17903
 Jebel Ali Free Zone
 Dubai
 Tel. +971 (0) 4-88 33 112
 Fax +971 (0) 4-88 33 240
 geze@emirates.net.ae

United Kingdom
GEZE UK Ltd.
 Blenheim Way
 Fradley Park
 Lichfield
 Staffordshire WS13 8SY
 Tel. +44 (0) 1543 44 30 00
 Fax +44 (0) 1543 44 30 01
 info.uk@geze.com

GEZE REPRESENTATIVE