

Flush when closed, completely open.

Hardware for bi-folding cabinet pocket doors up to 25 kg (55 lbs.) per door.

Description

Flush cabinet fronts open fully end to end with HAWA-Folding Concepta 25. Two wood doors can be folded and pushed into the side of the cabinet body or wall recess. This folding/slide-in hardware is flexibly adaptable to construction and design. Room-high designs and walk-in cabinets are easy and efficient to implement. Even practical work recesses, from kitchen worktop to ceiling, disappear behind the folding doors. Uniform front designs for a cabinet or kitchen front are also possible, including combinations with HAWA-Concepta 25/30/40/50 or with pivot doors, thanks to door gaps of 2–5 mm ($\frac{3}{32}$ "– $\frac{7}{32}$ ").

The well-thought-out concept provides for two basic installation solutions. On the one hand, the base profile allows for simple cabinet designs for overlaying cabinet fronts; on the other hand, the cabinet base can be omitted to allow for ideal, flexible room use with uninterrupted flooring.

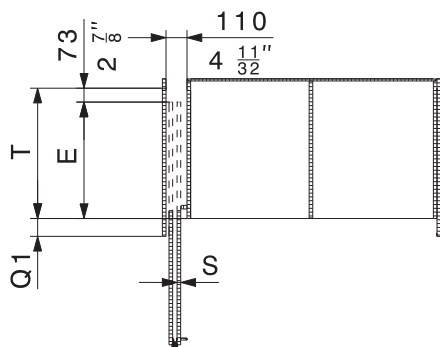
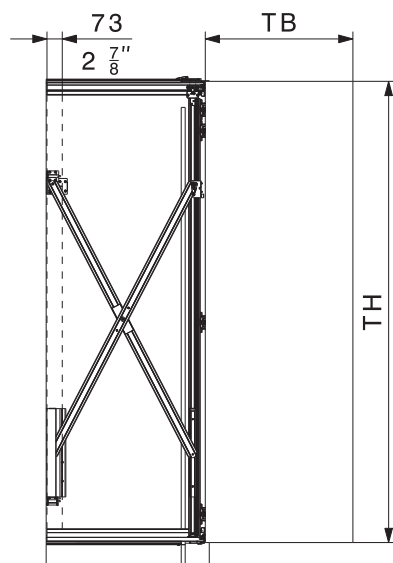
Convenience, cleverness and quality: these three terms clearly belong to the HAWA-Folding Concepta 25. Doors are opened and closed conveniently with one hand, the magnetic centring elements cleverly hold the doors in position, and the second door of the folding package cannot sag even under intensive use thanks to a positively driven trolley.

Applications

Its advantages are obvious wherever variable room utilisation and unobstructed access should leave a tidy impression, for instance in the home office in the bedroom, the kitchen in the living room, or the utility area in the bathroom.

Features of the HAWA-Folding Concepta 25

- Max. door weight: 25 kg (55 lbs.) [per pair of panels 50 kg (110 lbs.)]
- Door width: 300–700 mm ($11\frac{13}{16}$ "– $2'3\frac{9}{16}$ ")
- Door height: 1250–2600 mm ($4'1\frac{7}{32}$ "– $8'6\frac{3}{8}$ ")
- Door thickness: 19–28 mm ($\frac{3}{4}$ "– $1\frac{1}{8}$ ")
- Opened: free access to the entire cabinet front
closed: flush with the adjacent areas
- Two pairs of folding doors enable cabinet fronts up to 2800 mm ($9'2\frac{1}{4}$ ") in width to be stored in the cabinet depth
- The folding door pair can be pushed in fully flush with the external side
- Low slide-in loss of 73 mm ($2\frac{7}{8}$ ") in the cabinet depth
- Continuous gap pattern and uniform front designs, also in combination with HAWA-Concepta 25/30/40/50 and pivot doors
- Room-high designs without a cabinet base allow for recess enclosures and walk-in cabinets with uninterrupted flooring
- Cabinet designs from worktop to ceiling are possible
- All adjustments are made from the front
- Integrated cabinet body and side connectors simplify the installation of cabinets with overlaying fronts
- Unique scissor technology prevents any jamming when folding and sliding
- The lock catch from HAWA and the espagnolette lock TERZA 3017 from Heusser make cabinet fronts lockable
- Certified LGA



$$T = TB + 73 \text{ mm } (2\frac{7}{8} \text{ inch}) - Q1$$

$$E = T - 73 \text{ mm } (2\frac{7}{8} \text{ inch})$$

$$Q1 = 75 \text{ mm } (2\frac{31}{32} \text{ inch}) + S$$

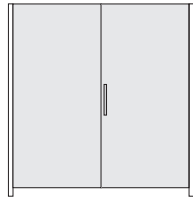
Subject to modification. Metric specifications are exact. Inches are approximate.

Design option

The different design options allow to implement a large variety of projects. Walk-in systems in recesses or cabinets that reach from floor to ceiling are possible, as are semi height solutions reaching from the worktop to the ceiling. The large area that can be covered is also an interesting aspect. For instance: with two pairs of folding doors, cabinet fronts measuring up to 2800 mm ($9'2 \frac{1}{4}$ ") in width fold away and slide into the cabinet depth.

Design with an overlaying cabinet front

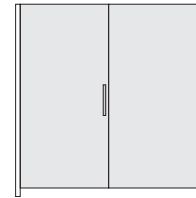
The optionally available base profile enables the design of simple cabinet bodies with an overlaying cabinet front. The leading ramp included in the set positions the doors flush with adjacent areas.



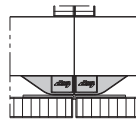
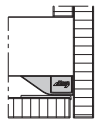
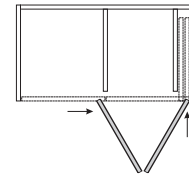
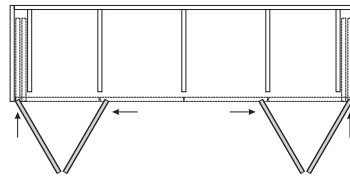
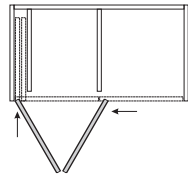
Left-hand installation



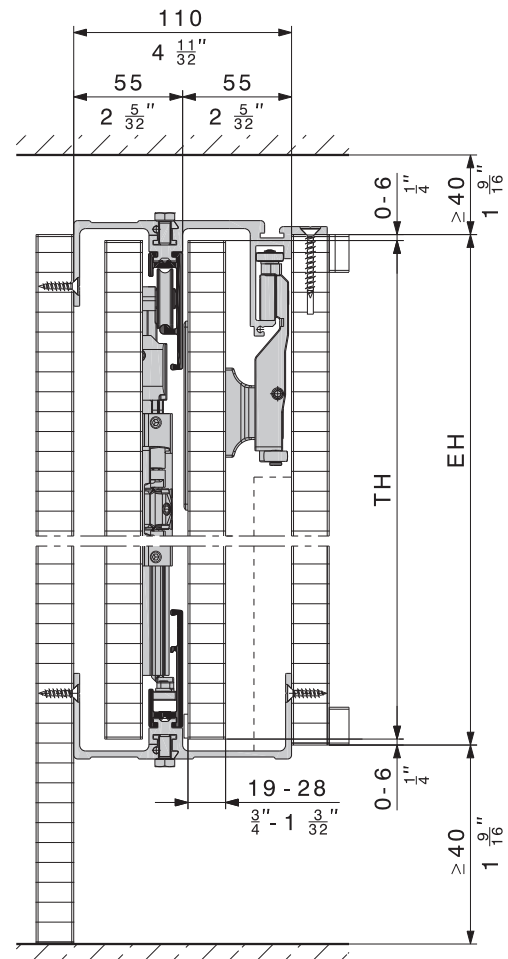
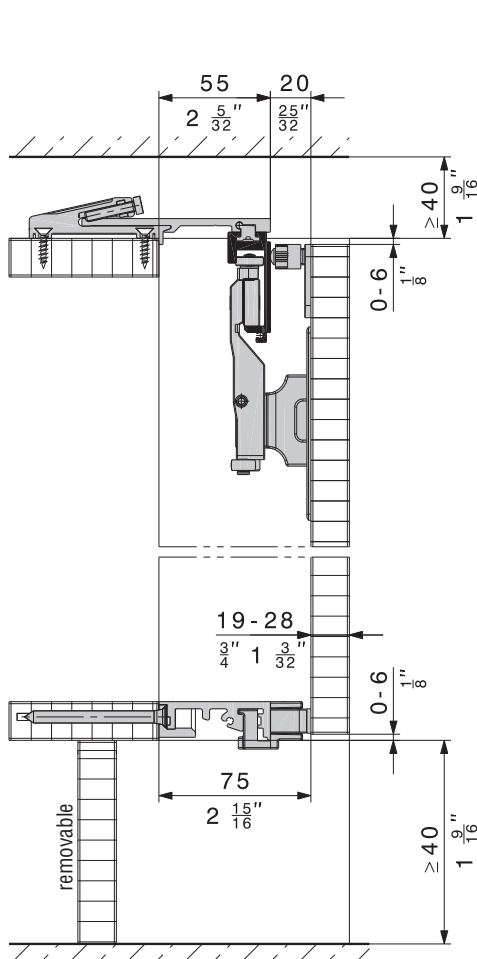
Double installation



Right-hand installation

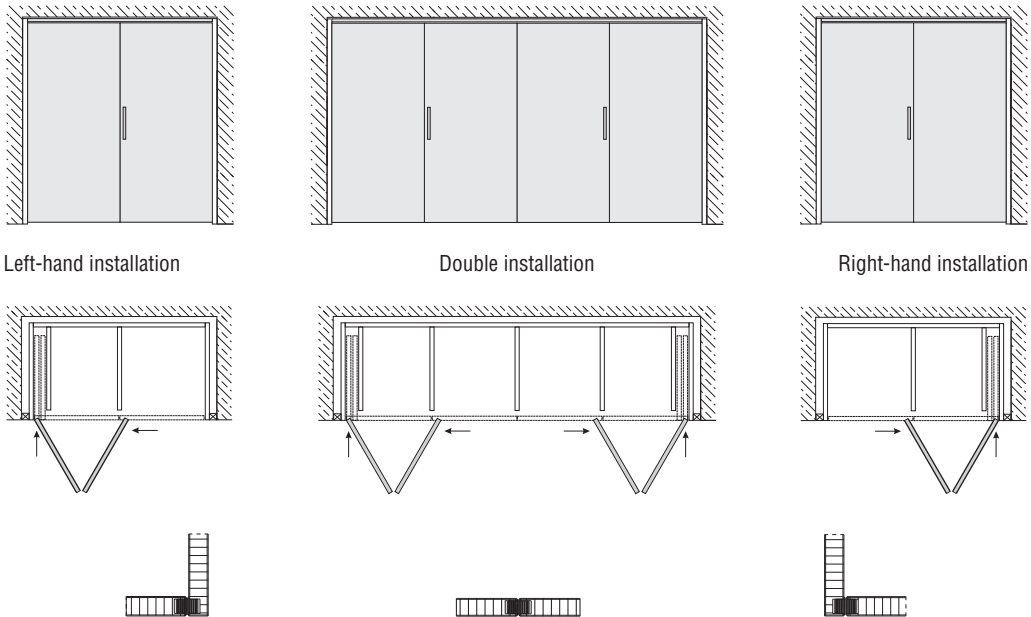


Flush door positioning with inferior profile and liner ramp

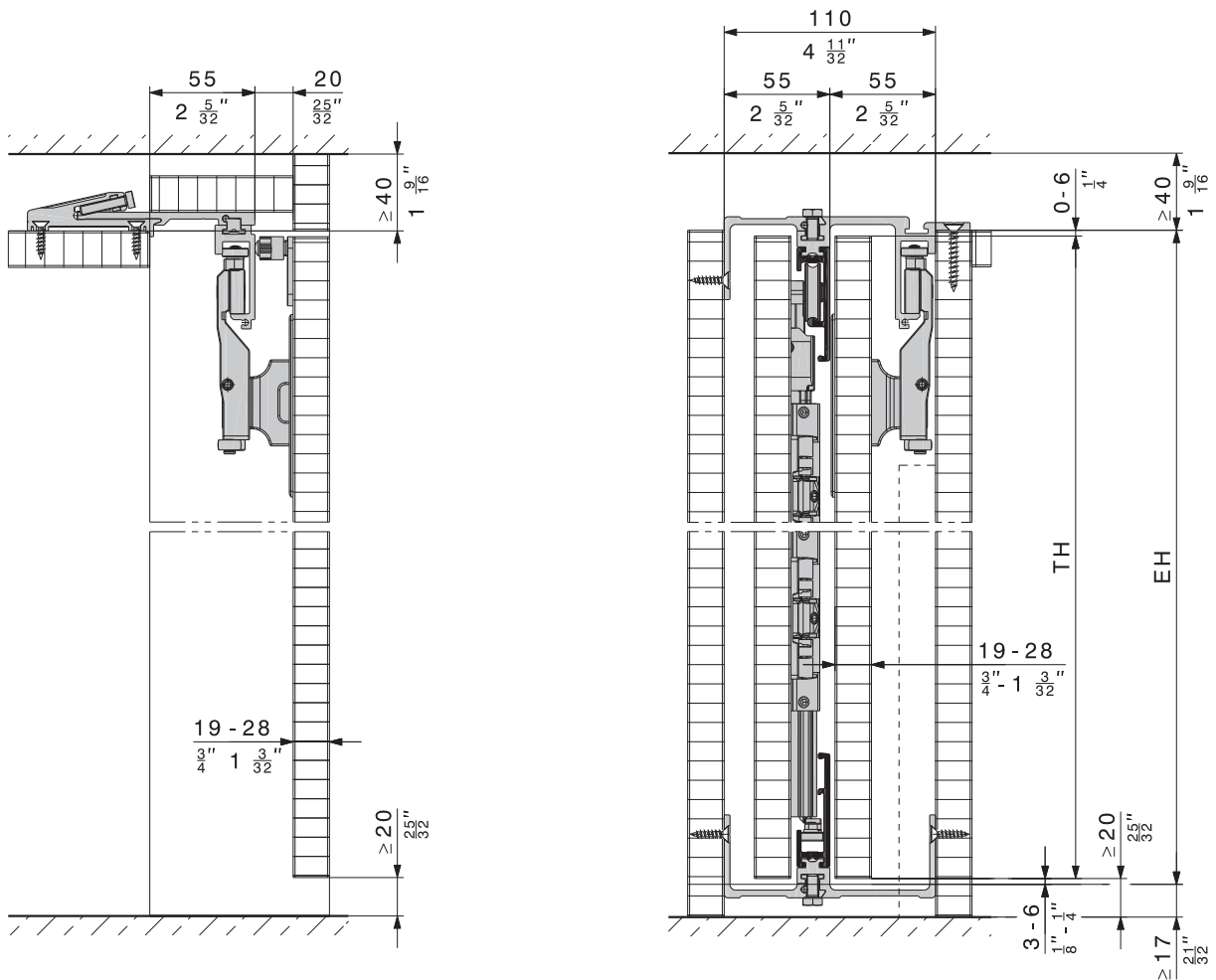


Recess cover without a base and with a ceiling connection

Room-high cabinet designs without a base allow to close off recesses with gaps of just 20 mm ($\frac{25}{32}$ ") from door to floor and 40 mm ($1\frac{9}{16}$ ") from door to ceiling. It is also possible to design walk-in cabinets with uninterrupted flooring.



Flush door centering with magnetic centring components



Subject to modification. Metric specifications are exact. Inches are approximate.

Doors reaching from the worktop to the upper cabinet edge

Design options with semi height bi-folding pocket doors reaching from the worktop to the ceiling demonstrate the extensive flexibility of the HAWA-Folding Concepta 25.



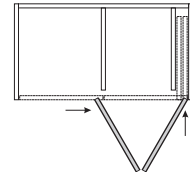
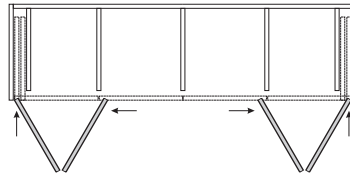
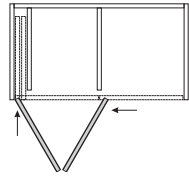
Left-hand installation



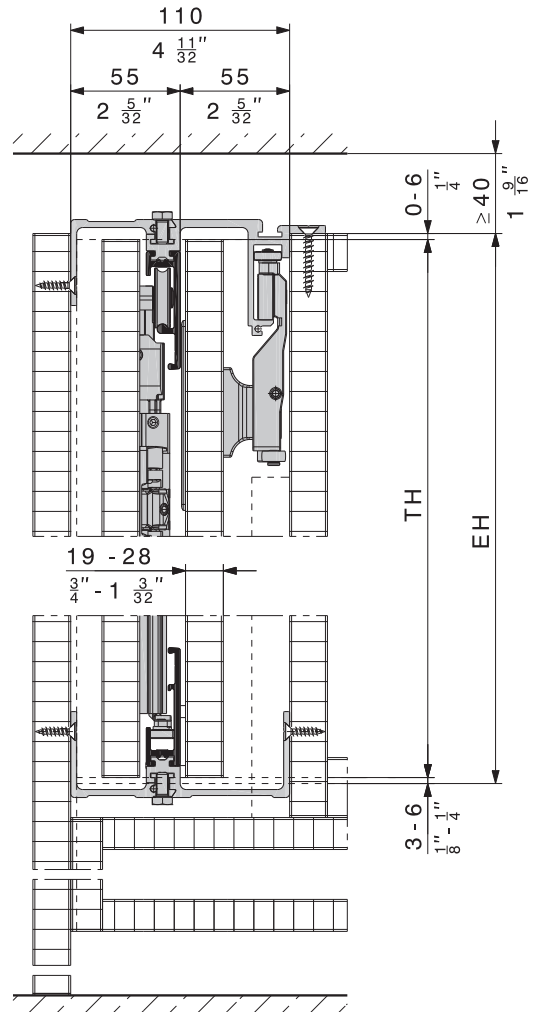
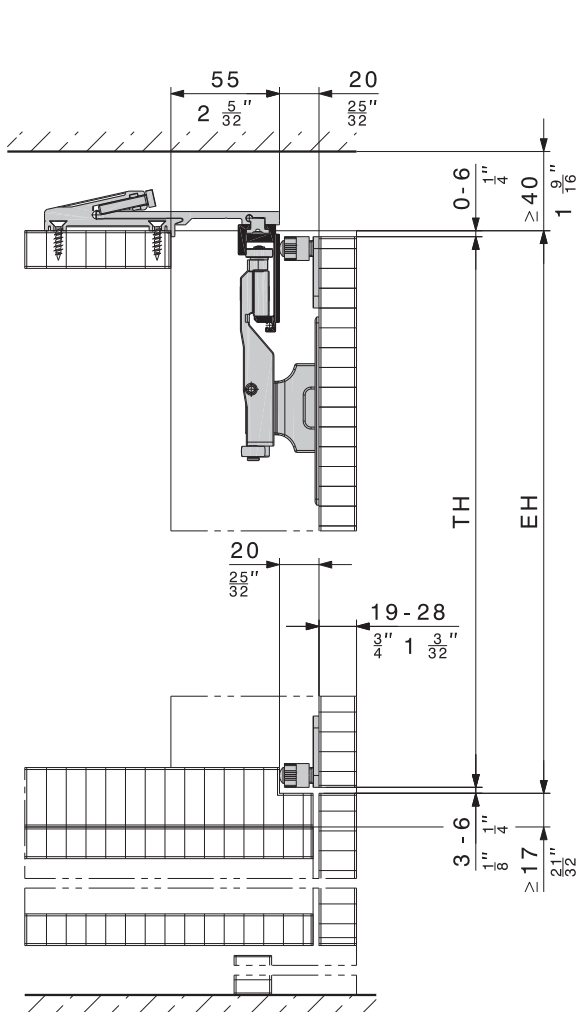
Double installation



Right-hand installation



Flush door centering with magnetic centring components


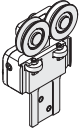
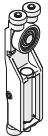

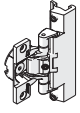
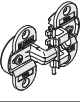
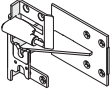
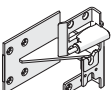




Subject to modification. Metric specifications are exact. Inches are approximate.

Sets, HAWA-Folding Concepta 25

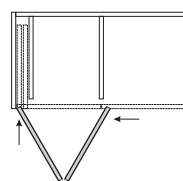
	door height mm/inch		code
HAWA-Folding Concepta 25, partial set for 1 pair of folding doors	1250-1850 (4'1 ⁷ / ₃₂ "-6'0 ²⁷ / ₃₂ ")	left	24735
		right	24736

Set comprising

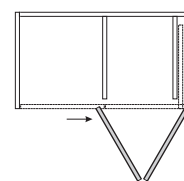
		24735	24736	code
	Scissor action, complete, galvanized steel, 900 mm (2'11 ⁷ / ₁₆ ")	1	1	24087
	Two-wheeled trolley alu, with ball bearing wheels, height adjustable, dull nickel finish	1	1	24686
	Single-wheeled trolley, with ball bearing wheels, for folding door, dull nickel finish	1	1	24054
	Concealed press-fit cup, dull nickel finish	1	1	23409
	Concealed hinge, spring-loaded, for wooden door, galvanized, 3 pieces	1	1	22778
	Concealed centre hinge, dull nickel finish, 3 pieces	1	1	24088
	Rear scissor bearing, galvanized steel, left	1		24117
	Rear scissor bearing, galvanized steel, right		1	24097
	Rear scissor guide, alu plain anodized	1	1	24010
	Front scissor guide, alu plain anodized	1	1	22317

HAWA-Folding Concepta 25

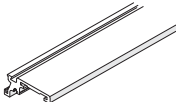
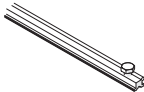
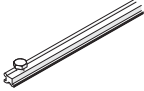
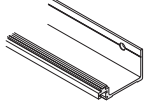
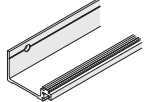
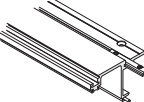
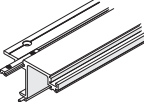
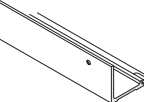
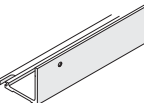
The HAWA-Folding Concepta 25 set for one bi-folding door pair includes not only all the hardware components but also the scissor and the top track. Left-hand and right-hand sets are available for door heights of 1250-1850 mm (4'1 ⁷/₃₂"-6'0 ²⁷/₃₂").



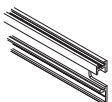
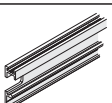
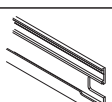
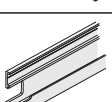
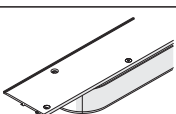
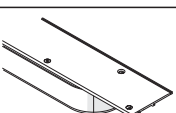
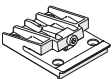
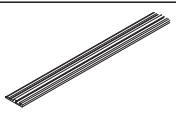
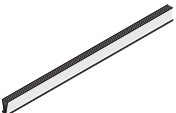
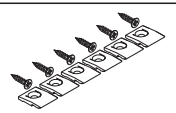
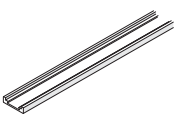
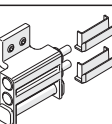
Left-hand installation

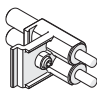
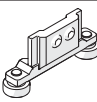
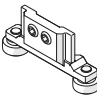
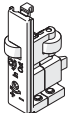
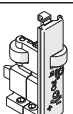
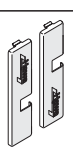

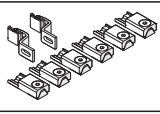



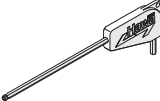


Right-hand installation

		24735	24736	code
	Upright, alu plain anodized, 1800 mm (5'10 ⁷ / ₈ ")	1	1	22055
	Connector connecting profile, alu plain anodized, bottom left / top right, 500 mm (1'7 ¹¹ / ₁₆ ")	1	1	24170
	Connector connecting profile, alu plain anodized, bottom right / top left, 500 mm (1'7 ¹¹ / ₁₆ ")	1	1	24171
	Interior connector, alu plain anodized, bottom left, 645 mm (2'1 ¹³ / ₃₂ ")	1		24021
	Interior connector, alu plain anodized, bottom right, 645 mm (2'1 ¹³ / ₃₂ ")		1	24022
	Interior connector, alu plain anodized, top left, 645 mm (2'1 ¹³ / ₃₂ ")	1		24107
	Interior connector, alu plain anodized, top right, 645 mm (2'1 ¹³ / ₃₂ ")		1	24108
	Exterior connector, alu plain anodized, bottom left / top right, 645 mm (2'1 ¹³ / ₃₂ ")	1	1	24027
	Exterior connector, alu plain anodized, bottom right / top left, 645 mm (2'1 ¹³ / ₃₂ ")	1	1	24028

Subject to modification. Metric specifications are exact. Inches are approximate.


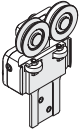
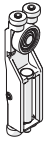

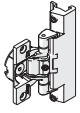
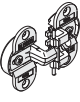
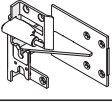
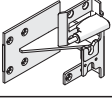


		24735	24736	code
	Top track left, alu plain anodized, 748 mm (2'5 $\frac{15}{32}$ ")	1		24744
	Top track right, alu plain anodized, 748 mm (2'5 $\frac{15}{32}$ ")		1	24745
	Bottom guide channel left, alu plain anodized, 748 mm (2'5 $\frac{15}{32}$ ")	1		24746
	Bottom guide channel right, alu plain anodized, 748 mm (2'5 $\frac{15}{32}$ ")		1	24747
	Top track with left-hand curve, alu plain anodized	1		24070
	Top track with right-hand curve, alu plain anodized		1	24071
	Adapter for top track, plastic, anthracite-grey, 4 pieces	1	1	23645
	Plastic profile, black, 1850 mm (6'0 $\frac{27}{32}$ "), for guide brush	1	1	21969
	Guide brush, black, 1850 mm (6'0 $\frac{27}{32}$ "), height 10 mm ($\frac{3}{8}$ ")	1	1	22808
	Fixing brackets, plastic black, for guide brush, 6 pieces	1	1	22289
	Covering screen for panel clearance, alu plain anodized, 1870 mm (6'1 $\frac{5}{8}$ ")	1	1	23540
	Soft closing system for end position and cover caps for scissor guide	1	1	22302

		24735	24736	code
	Pivot door damper, plastic, anthracite-grey	1	1	24063
	Upright guide, bottom left, alu, with plastic rollers	1		24258
	Upright guide, bottom right, alu, with plastic rollers		1	24260
	Stop cover cap, depth adjustable, top left / bottom right	1	1	24626
	Stop cover cap, depth adjustable, top right / bottom left	1	1	24627
	Cover plates, stainless steel, 1 pair	1	1	24739
	Stop bumper adjustable, plastic, anthracite-grey	2	2	23562
	Fixing parts for covering screen for panel clearance, set of 3 pieces	1	1	23990
	Screw set for fitting hardware to cabinet body, 4,5x20 mm ($\frac{3}{16}$ "x $\frac{25}{32}$ "), 40 pieces	1	1	24032
	Set of screws for concealed hinges, 4x20 mm ($\frac{5}{16}$ "x $\frac{25}{32}$ "), 30 pieces	1	1	24033
	Screw set for fitting hardware to cabinet body, 5x35 mm ($\frac{7}{32}$ "x1 $\frac{3}{8}$ "), 4 pieces	1	1	24111
	Hex key, 3 mm ($\frac{1}{8}$ "), with handle	1	1	13164

Sets, HAWA-Folding Concepta 25

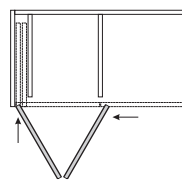
	door height mm/inch		code
HAWA-Folding Concepta 25, partial set for 1 pair of folding doors	1851-2600 (6'0 ⁷ / ₈ "-8'6 ³ / ₈ ")	left	24737
		right	24738

Set comprising

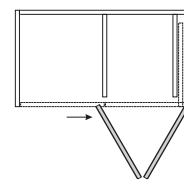
		24737	24738	code
	Scissor action, complete, galvanized steel, 1500 mm (4'11 ¹ / ₁₆ ")	1	1	22594
	Two-wheeled trolley alu, with ball bearing wheels, height adjustable, dull nickel finish	1	1	24686
	Single-wheeled trolley, with ball bearing wheels, for folding door, dull nickel finish	1	1	24054
	Concealed press-fit cup, dull nickel finish	1	1	23409
	Concealed hinge, spring-loaded, for wooden door, galvanized, 4 pieces	1	1	24217
	Concealed centre hinge, dull nickel finish, 4 pieces	1	1	24218
	Rear scissor bearing, galvanized steel, left	1		24117
	Rear scissor bearing, galvanized steel, right		1	24097
	Rear scissor guide, alu plain anodized	1	1	24010
	Front scissor guide, alu plain anodized	1	1	22317

HAWA-Folding Concepta 25

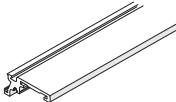
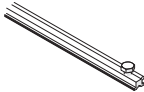
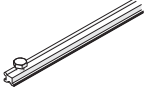
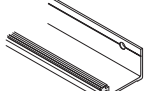
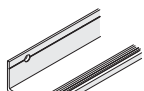
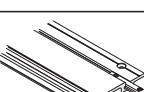
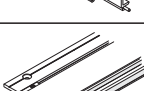
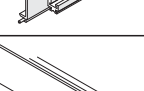

The HAWA-Folding Concepta 25 set for one bi-folding door pair includes not only all the hardware components but also the scissor and the top track. Left-hand and right-hand sets are available for door heights of 1851-2600 mm (6'0 ⁷/₈"-8'6 ³/₈").



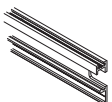
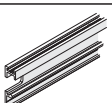
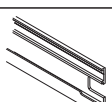
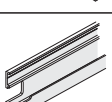
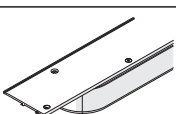
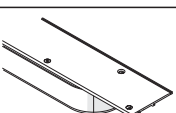
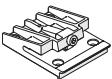
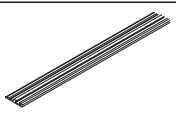
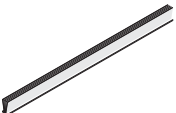
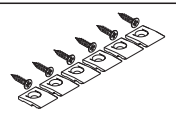
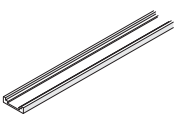
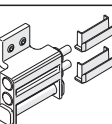
Left-hand installation

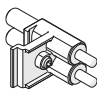
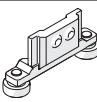
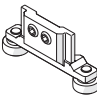
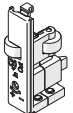
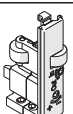
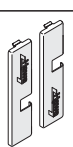

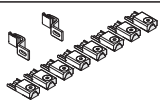



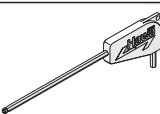


Right-hand installation

		24737	24738	code
	Upright, alu plain anodized, 2500 mm (8'2 ⁷ / ₁₆ ")	1	1	22056
	Connector connecting profile, alu plain anodized, bottom left / top right, 500 mm (1'7 ¹¹ / ₁₆ ")	1	1	24170
	Connector connecting profile, alu plain anodized, bottom right / top left, 500 mm (1'7 ¹¹ / ₁₆ ")	1	1	24171
	Interior connector, alu plain anodized, bottom left, 645 mm (2'1 ¹³ / ₃₂ ")	1		24021
	Interior connector, alu plain anodized, bottom right, 645 mm (2'1 ¹³ / ₃₂ ")		1	24022
	Interior connector, alu plain anodized, top left, 645 mm (2'1 ¹³ / ₃₂ ")	1		24107
	Interior connector, alu plain anodized, top right, 645 mm (2'1 ¹³ / ₃₂ ")		1	24108
	Exterior connector, alu plain anodized, bottom left / top right, 645 mm (2'1 ¹³ / ₃₂ ")	1	1	24027
	Exterior connector, alu plain anodized, bottom right / top left, 645 mm (2'1 ¹³ / ₃₂ ")	1	1	24028

Subject to modification. Metric specifications are exact. Inches are approximate.

		24737	24738	code
	Top track left, alu plain anodized, 748 mm (2'5 $\frac{15}{32}$ ")	1		24744
	Top track right, alu plain anodized, 748 mm (2'5 $\frac{15}{32}$ ")		1	24745
	Bottom guide channel left, alu plain anodized, 748 mm (2'5 $\frac{15}{32}$ ")	1		24746
	Bottom guide channel right, alu plain anodized, 748 mm (2'5 $\frac{15}{32}$ ")		1	24747
	Top track with left-hand curve, alu plain anodized	1		24070
	Top track with right-hand curve, alu plain anodized		1	24071
	Adapter for top track, plastic, anthracite-grey, 4 pieces	1	1	23645
	Plastic profile, black, 2620 mm (8'7 $\frac{5}{32}$ "), for guide brush	1	1	24105
	Guide brush, black, 2620 mm (8'7 $\frac{5}{32}$ "), height 10 mm ($\frac{3}{8}$ ")	1	1	24106
	Fixing brackets, plastic black, for guide brush, 6 pieces	1	1	22289
	Covering screen for panel clearance, alu plain anodized, 2620 mm (8'7 $\frac{5}{32}$ "),	1	1	23541
	Soft closing system for end position and cover caps for scissor guide	1	1	22302

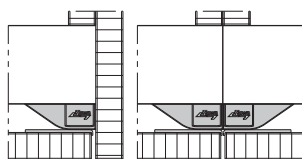
		24737	24738	code
	Pivot door damper, plastic, anthracite-grey	1	1	24063
	Upright guide, bottom left, alu, with plastic rollers	1		24258
	Upright guide, bottom right, alu, with plastic rollers		1	24260
	Stop cover cap, depth adjustable, top left / bottom right	1	1	24626
	Stop cover cap, depth adjustable, top right / bottom left	1	1	24627
	Cover plates, stainless steel, 1 pair	1	1	24739
	Stop bumper adjustable, plastic, anthracite-grey	2	2	23562
	Fixing parts for covering screen for panel clearance, set of 4 pieces	1	1	24306
	Screw set for fitting hardware to cabinet body, 4,5x20 mm ($\frac{3}{16}$ "x $\frac{25}{32}$ "), 40 pieces	1	1	24032
	Set of screws for concealed hinges, 4x20 mm ($\frac{5}{32}$ "x $\frac{25}{32}$ "), 30 pieces	1	1	24033
	Screw set for fitting hardware to cabinet body, 5x35 mm ($\frac{7}{32}$ "x1 $\frac{3}{8}$ "), 4 pieces	1	1	24111
	Hex key, 3 mm ($\frac{1}{8}$ "), with handle	1	1	13164

Door positioning / Door centering

		code
	Bottom profile complete 1300 mm (4'3 $\frac{3}{16}$ "), alu plain anodized, including cover cap, leading ramp and drilling jig	24004
	Magnetic centering part, alu plain anodized, including drilling jig	24006

Door positioning / door centering

The base profile no. 24004 is the ideal complement to the HAWA-Folding Concepta 25. The leading ramp included in the set brings the overlaying cabinet front flush into position. Doors on recess designs or walk-in cabinets without a cabinet base are centered by magnetic centering parts no. 24006.



Flush door positioning with base profile and leading ramp



Flush door positioning with magnetic centering parts

Reinforcement profile/Connection plate

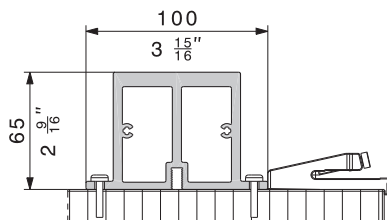
		mm/inch	code
	Reinforcement profile incl. top track connection plate, alu plain anodized, predrilled	2600	24322
	Reinforcement profile, alu plain anodized, predrilled	nach Mass	24281
	Top track connection plate, alu plain anodized, predrilled		24321

Reinforcement profile/Connection plate

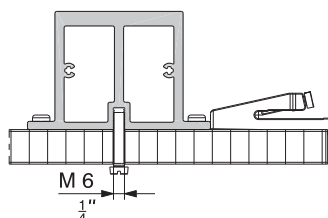
Double systems of up to 2800 mm (9'2 $\frac{1}{4}$ ") without a centre section are feasible thanks to the optionally available profile for reinforcing the cabinet top ceiling.

→ Max. deflection of the cabinet ceiling: ≤ 2 mm ($\frac{3}{32}$ ")

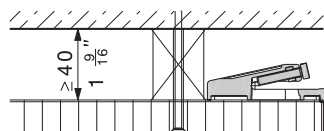
Additionally, the connection plate stabilises the top track butt joint between the left and right sections and keeps it flush.



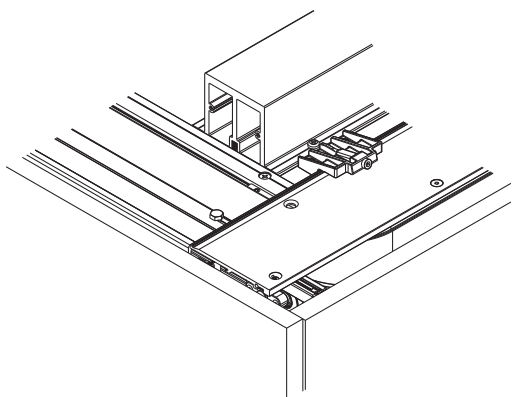
Profile, pre assembled



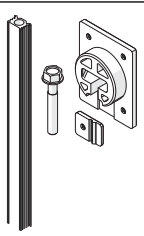
Profile can be fitted retro-actively from below



Custom solution

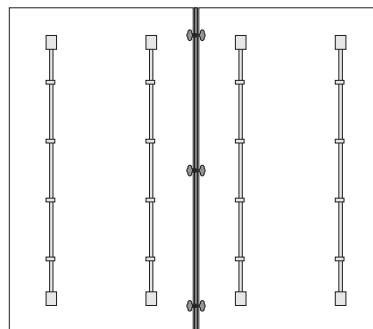


Aligner – Set for 1 wooden door

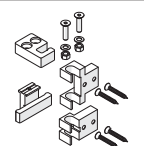
	code
<p>Aligner for stabilisation of wooden sliding door</p> <p>2 pieces for 1 door</p>	18705
<ul style="list-style-type: none"> • for door thicknesses of 16–28 mm ($\frac{5}{8}$–$1\frac{1}{8}$") • for door heights up to 2600 mm ($8'6\frac{3}{8}$") (not suitable for solid hardwood) 	

Aligner

The alignment hardware makes it easy to stabilise and adjust the folding/slide-in doors. At least two hardware sets are recommended for each door and can be shortened as required.

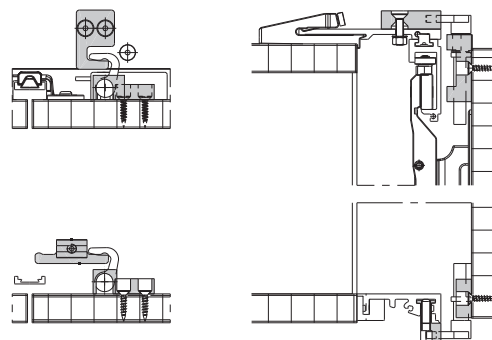


Lock catch for espagnolette lock TERZA

	code
<p>Lock catch and bracket for espagnolette lock TERZA, 2 pieces for 1 pair of folding doors</p>	24005
<ul style="list-style-type: none"> • For cabinet designs without a ceiling connection • Lock catch for espagnolette lock TERZA 3017 to be ordered by the building owner. (www.heusser-schloss.ch) 	

Lock catch for espagnolette lock

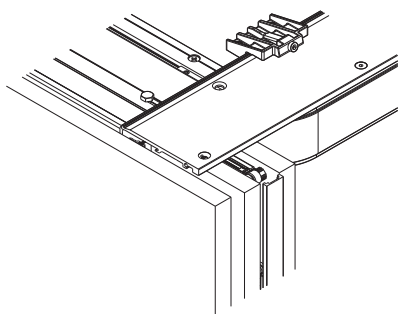
The lock catch from Hawa and the commercially available espagnolette lock TERZA 3017 from Heusser make cabinet fronts lockable.



Assembly simplification features

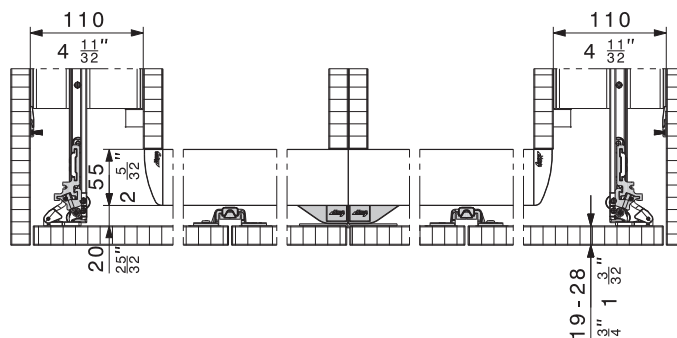
The corpus and side connection profiles included in the HAWA-Folding Concepta 25 set make it easier to design cabinet bodies with overlaying cabinet fronts.

The top track and base profile also make for easier installation as they are fitted to the cabinet corpus from the front. They can also be fitted retrospectively across a number of previously installed cabinet corpus.



Recess width 110 mm

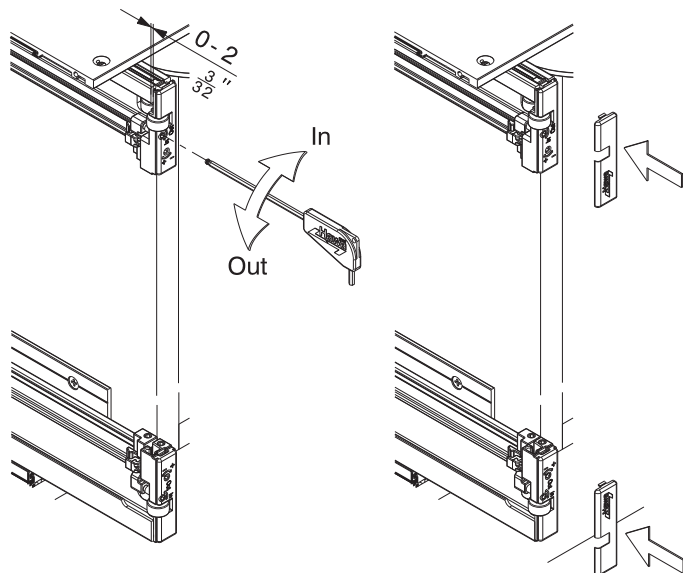
The recess width of 110 mm ($4\frac{11}{32}$ ") enables a minimum loss of effective width and corresponds to the grid pattern of the HAWA-Concepta 25/30/40/50. This reduces complexity and simplifies planning.



Stop cover caps and depth adjustment

The stop cover caps are screwed onto the face side of the top tracks and floor guides and fulfill the following functions:

- The integrated guide rollers make it easy to pivot the door and slide it in, positioning it in the closed position
- The closed front can be aligned by 0–2 mm ($0'' - \frac{3}{32}''$) in the depth of the cabinet
- The hardware set includes a pair of stainless steel cover caps for extra visual appeal. They simply clip on to the stop cover caps

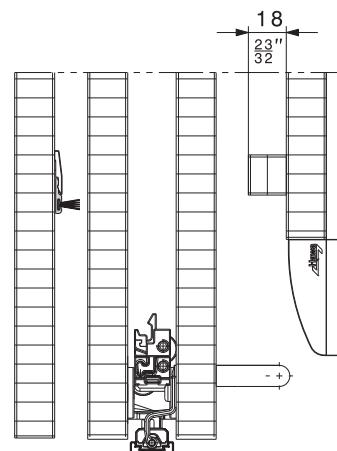


Front depth fine adjustment

Adjustment screw cover

Door handle / door position

Commercially available bow handles enable convenient, one handed operation of folding/slide-in doors. The folding door pair can be pushed in fully flush with the external side.



The alu profile between the bi-folded door pair discreetly conceals the strap hinges

Installation tip

The cabinet must be levelled and anchored to the building to achieve the best possible functionality and operating convenience.

Order specifications

- Type and quantity of sets
- Quantity of bottom profile for door positioning
or
- Quantity of magnetic centering part for door centering

Optional order specifications

- Quantity of reinforcement profile
- Quantity of lock catch for espagnolette lock TERZA 3017
- Quantity of aligner

Planning/installation

For planning and installation purposes, please use the installations drawing code 24730 and 24320.

(→ www.hawa.ch → HAWA-Productfinder)

